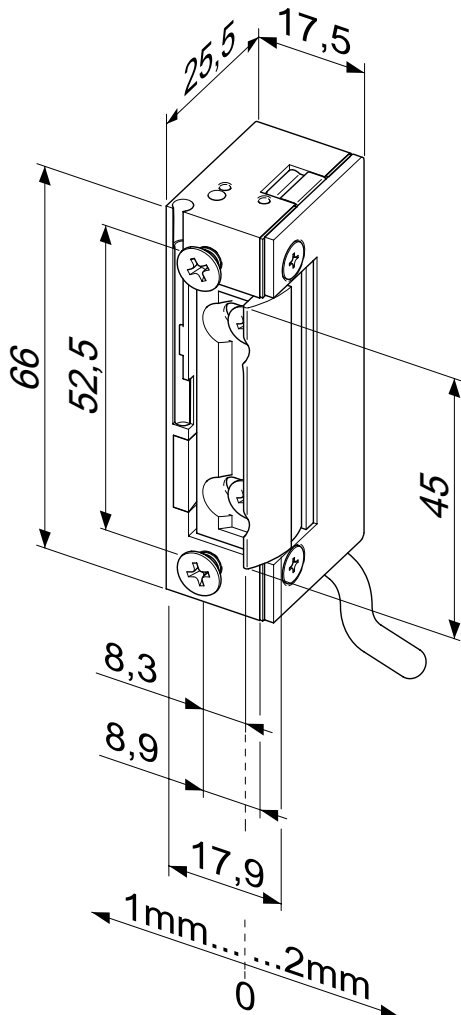
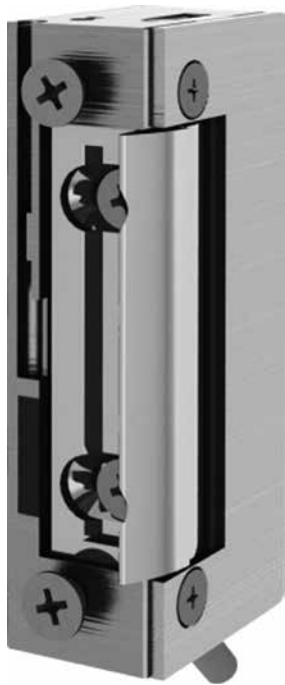


Electric Strike

Fail-locked 118W



Electric strike for outdoor areas

Model with basic equipment.

The advantages at a glance

- Water-proof for use outdoors
- Protection rating IP54 for the electrical components
- Connecting cable 300 mm length
- Equipped with bipolar protective diodes
- Radius keeper, FaFix®, adjustable by 3 mm
- Compatible with standard mortise locks
- Striking plates with 2 position settings available
- Symmetrical design. DIN left/right as well as horizontal applicable

Electrical data	10-24 V AC/DC	22-42 V AC/DC
Continuous duty	11-13 V DC	22-26 V DC
Rated resistance	43 Ω	200 Ω
Rated current consumption 12 V DC	280 mA	
Rated current consumption 24 V DC	560 mA	120 mA
Rated current consumption 12 V AC	250 mA	
Rated current consumption 24 V AC	500 mA	60 mA
Max. latch preload AC	200 N (12V) >350 N (24V)	200 N (24V) >350 N (42V)
Max. latch preload DC (stabilised)	50 N (12V) >200 N (24V)	50 N (24V) >350 N (42V)

Characteristics	Technical attributes
Adjustable latch (FF, FaFix®)	• Break-in resistance 3750 N
Monitoring contact (RR)	• Height 66 mm
Mechanical unlocking (E)	• Width 17,5 mm
Bi-directional diode	• Depth 25,5 mm
Fail-locked	• FaFix® adjustment range 3 mm
Fail-unlocked	• Latch bolt engaging depth 5,5 mm
Hold-open function	• Operating temperature range -40 °C to +50 °C
	• Installation position vertical and horizontal
	• Load cycles for in-plant test 250000

DIN door swing directions
Universal 1

Voltage
10-24 V AC/DC A7
22-42 V AC/DC B7

Order no.
1 1 8 W * * 1