

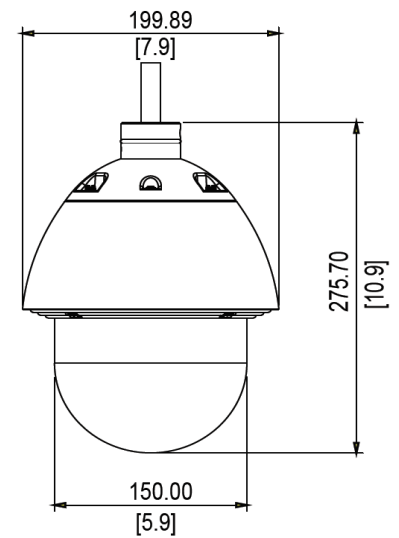
Overview

- 2 Megapixel Resolution
- 60fps at 2MP
- 20 X Optical Zoom
- Motorized Auto Focus Lens
- 145 dB WDR
- H.264
- IP67
- Analytics:
 - Face Detection, Object Based Motion Detection, Tampering, Shock Detection, PTZ Auto Tracking, Line Crossing, Enter Area, Missing Object, Unattended Object, Loitering
- Video Insight VMS License Included







Technical Specifications

Device	
Image Sensor:	1/2.8" Progressive Scan CMOS
Min. Illumination:	Color: 0.1 lux at F1.6 B/W: 0.5 lux
Shutter Time:	1/5 to 1/32,000s Auto & Manual
Slow Shutter:	No
Lens:	4.7- 94mm@ F1.6-3.5, angle of view: 62°-2.8°
Auto Iris:	DC drive
Angle Adjustment:	Pan: 0°- 360°, Tilt: -22° - 200°, Rotation: Endless
Digital Noise Reduction:	Automatic Gain Control, 2D+3D DNR, Defogging
WDR:	WDR 142dB
Day/Night:	IR cut filter with auto switch (700-1100nm) (No IR-LED)
Compression Standard	
Video Compression:	H.264, MJPEG
Bit Rate:	28 Kbps ~ 12 Mbps
H.264 Type:	Baseline Profile/Main Profile/High Profile
Audio Compression:	8 kHz, Mono, PCM, 16bit encoding; G.711
Image	
Max. Image Resolution:	1920 x 1080
Frame Rate:	60Fps (1920 x 1080)
EIS (Electronic Image Stabilization):	Yes
BLC (Back Light Compensation):	No
Day/Night Switch	Auto/Schedule/Triggered by alarm in
Image Setting:	Saturation, Brightness, Contrast adjustable by web browser



Technical Specifications

Network	
Analytics and Alarm Trigger:	Face Detection, Object Based Motion Detection, Tampering, Shock Detection, PTZ Auto Tracking, Line Crossing, Enter Area, Missing Object, Unattended Object, Loitering
Protocols:	TCP/IP, ICMP, HTTP, HTTPS, DHCP, DNS, RTP, RTSP, RTCP, NTP, SMTP, IGMP, IPv6, Bonjour
Security:	IP address filtering, HTTPS encryption, Password protected user level, Anonymous login
System Compatibility:	ONVIF (Profile S) (Profile G)
Interface	
Audio Input:	1-ch 3.5 mm
Audio Output:	1-ch 3.5 mm
Communication Interface:	1 RJ45 10M/100M/1000M Ethernet port,
Alarm Input:	1 Terminal
Alarm Output:	1 Terminal
Video Output:	NA
Onboard Storage:	Micro SDHC, Micro SDXC (128GB Max)
Reset Button:	Yes
General	
Operating Conditions:	-61.6°F – 140 °F (-52 °C – 60 °C) for AC 24v, -40°C ~ 60°C (-40°F ~ 140°F) for High PoE
Power Supply:	68W AC PoE (High Power PoE) Power Consumption AC: 68W, PoE: 29.4W (High PoE Injector Included)
Power Consumption:	29.4 W (PoE, heater and fan on), 68 W (AC, Heater and fan on)
IR Range:	NA
Impact Protection:	Ik09
Protection Level	IP67
Dimensions:	7.9" x 10.9" (200x276mm)
Weight:	5.74lb
Warranty:	4 Year Advanced Replacement
Accessories:	<div style="display: flex; justify-content: space-around; align-items: flex-start;"> <div style="text-align: center;"> <p>B-31-ST</p>  </div> <div style="text-align: center;"> <p>B-31-GN</p>  </div> <div style="text-align: center;"> <p>B-31-CMB</p>  </div> <div style="text-align: center;"> <p>B-31-PM</p>  </div> </div>