

CAIPBC330TI3WV

1080P High Definition WDR TDN Vari-Focal IR Bullet IP Camera

Honeywell Vista CAIPBC330TI3WV network camera combines world-class imaging and camera technology with the IP networking innovation. It delivers high definition images in 1080P (1920 x 1080) resolution. With high quality surveillance imaging, the CAIPBC330TI3WV is an ideal selection for facilities that require high video standards.

At low illumination or complete darkness, the CAIPBC330TI3WV uses 2 built-in IR LEDs to provide useable black and white video with a viewing range of up to 40m from the camera. Also with Wide Dynamic Range (WDR), the CAIPBC330TI3WV is ideal for 24 x7 surveillance in facilities where there is high illumination contrast between background and foreground.

By applying the H.264 video compression technology, the CAIPBC330TI3WV streams high quality images at optimized bandwidth which reduces data volume effectively to save storage space. It also supports the ONVIF specification for high interoperability between network video products.

Market Opportunities

Featuring 1080P image resolution, WDR, TDN, H.264 video compression, built-in IR LED, and ONVIF interface, the CAIPBC330TI3WV optimizes surveillance performance for applications that require high image quality at minimal bandwidth. This IP bullet camera is a cost-effective IP solution for commercial buildings, shopping centers, factories, warehouses, and so forth.

FEATURES

- 1080P high definition resolution at 25/30fps
- H.264, MPEG-4, MJPEG simultaneously
- Built-in 3rd generation IR LEDs provide clear images at low lux environments IR distance up to 40m
- Wide Dynamic Range
- True Day/Night with IR-cut filter
- Motion detection; privacy masking
- 12VDC / 24VAC
- IP66
- Compatible with CAIPC-CMS100 central management software
- ONVIF compliant



Driving IP-based physical security through global standardization

CAIPBC330TI3WV

www.black.honeywell.com

1080P High Definition WDR TDN Vari-Focal IR Bullet IP Camera

SPECIFICATIONS

Model	CAIPBC330TI3WV
Camera	
Image Sensor	3 Megapixel 1/3" CMOS
Effective Pixels	2048 (H) x 1536 (V)
Minimum Illumination	Color: 0.3 Lux @ F1.2, AGC ON; B/W: 0.05 Lux @ F1.2, AGC ON 0 Lux (IR ON)
Lens	9 - 22mm vari-focal lens
Shutter Speed	1/5 - 1/10,000 Sec
Day/Night	TDN, IR cut removable
WDR	Extended WDR. Up to 100dB
IR Beam Distance	30 – 40m
Image Set	Saturation, Brightness, Sharpness and Contrast setup can be customized through IE Browser
IP Specification	
Video Compression	H.264, MPEG-4, MJPEG Multiple video streams
Image Resolution	1920 x 1080 @ 25/30fps
Bit Rate	32K - 8Mbps (H.264) / 32K - 16Mbps (MPEG-4)
Network Interface Protocol	ONVIF
Ethernet	10/100Mbps self-adaptive Ethernet interface
Supported Protocol	TCP/IP, UDP, RTP/RTCP, RTSP, HTTP, SMTP, DNS, DDNS, DHCP, FTP, NTP, PPPOE, UPNP (SNMP, HTTPS, SIP optional)
Audio Compression	G.711
Audio compression Rate	64Kbps
Audio Input	Mic/Line in, bi-directional audio, frequency responsibility: 50 - 16000Hz, S/N>60dB
Audio Output	Line out PWL Resistance: 600 Ohm
Address Assignment	Static IP address, dynamic IP address
Remote Setup	Camera video and network can be set via IE browser
Recording	
Pre-record	30s
Recording Mode	Record, Schedule, Triggered
Playback	Synchronous playback, fast forward, forward and pause etc
Local Storage	Up to 32G
SD card Storage	Support max 32GB
Alarm and Event	
Alarm Output	1 channel relay output
Alarm Input	1 channel. 12VDC, high level
Alarm Trigger	Intelligent video motion detection and external input
Alarm Event	Event server: FTP server, SMTP server, web browser
Motion Detection	Yes
Privacy Masking	3 zones
Continuous Alarm Time	10s, 30s, 1 min, 5 mins, 10 mins, Non-Stop
Alarm Sensitivity Setup	Low, Medium, High
Event / Log	Alarm input, video lost , motion detection, video shelter

CAIPBC330TI3WV

www.black.honeywell.com

1080P High Definition WDR TDN Vari-Focal IR Bullet IP Camera

SPECIFICATIONS

Model	CAIPBC330TI3WV
Electrical	
Power Supply	12VDC & 24VAC
Power Consumption	IR Off: 4W; IR On: 10W
Mechanical	
Dimensions	285.2 (L) x 119.3 (W) x 101.4 (H) mm
Weight	1.15kg
Protection	IP66
RS485	1 channel
Environmental	
Operating Temperature	-10°C to +60°C
Operating Humidity	0% to 90% (non-condensing)
Viewing System	
Browser	IE 6.0 or above
Software	
Search and Installation	IP Finder
CMS	Honeywell Vista CAIPC-CMS100
Regulatory	
Certification	CE, FCC, C-tick

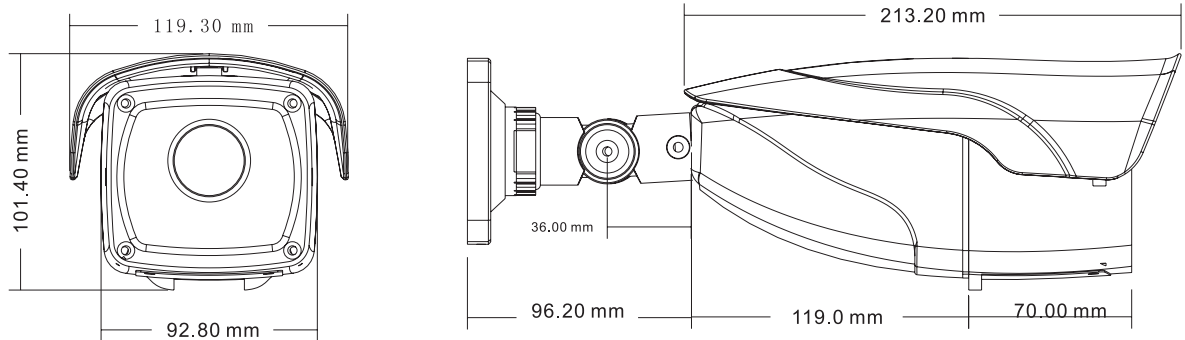
Note: Honeywell reserves the right, without notification, to make changes in product design or specifications.

CAIPBC330TI3WV

www.black.honeywell.com

1080P High Definition WDR TDN Vari-Focal IR Bullet IP Camera

DIMENSIONS



(Unit: mm)

ORDERING

CAIPBC330TI3WV	1080P IR Bullet IP Camera. IR distance 30 – 40m. Vari-focal lens 9 - 22mm, WDR, TDN, H.264, 12VDC & 24VAC, ONVIF
----------------	--

For more information:

Security Hong Kong
Security Australia Sales Hotline
Security India

Tel: (852) 2405 2323
Tel: 1300 234 234
Tel: (91) 124 497 5000

www.black.honeywell.com
security.black@honeywell.com

Honeywell Security Group
Automation & Control Solutions
Honeywell International Inc.
www.security.honeywell.com

Nov 2013
© 2013 Honeywell International Inc.

VISTA

Honeywell