

## CAIPSD334T-OW/OP

### 1080P High Definition 20x IP High Speed Dome

Honeywell Vista CAIPSD334T-OW/OP network camera combines world-class imaging and camera technology with the IP networking innovation. It delivers high definition images in 1080P (1920 x 1080) resolution with real-time frame rate. With high quality surveillance imaging, the CAIPSD334T-OW/OP is an ideal selection for facilities that require high video standards.

Featuring high pan speed at maximum 400° per second and 360° continuous rotation, the CAIPSD334T-OW/OP is capable to respond quickly to capture the emergency scene. The 20x zoom lens delivers a full picture of the area under surveillance in optimal width and depth.

By applying the H.264 video compression technology, the CAIPSD334T-OW/OP streams high quality images at optimized bandwidth which reduce data volume effectively to save storage space. It also supports the ONVIF specification for high interoperability between network video products.

With a IP66 construction, this IP speed dome is ideal for surveillance in extreme environments. Wall mount (CAIPSD334T-OW) and pendant mount (CAIPSD334T-OP) are available for installation in different locations.

#### MARKET OPPORTUNITIES

Featuring 1080P image resolution, TDN, H.264 video compression, high speed rate and 20x optical zoom, the CAIPSD334T-OW/OP optimizes surveillance performance for applications that require high image quality at minimal bandwidth. Together with IP66 housing, this IP camera is a cost-effective IP solution for commercial buildings, shopping centers, factories, warehouses, and so forth.

#### FEATURES

- 1080P high definition resolution at 25/30fps
- H.264, MPEG-4, MJPEG simultaneously
- High pan speed: 400°/s max
- High tilt speed: 250°/s max
- 360° continuous rotation
- 20x optical zoom
- True Day/Night with IR-cut filter
- 254 preset
- 4 tour scanning and 4 pattern scanning
- IP66
- Compatible with CAIPC-CMS100 central management software



# CAIPSD334T-OW/OP

www.black.honeywell.com

## 1080P High Definition 20x IP High Speed Dome

### SPECIFICATIONS

Model	CAIPSD334T-OW/OP
<b>Video</b>	
Image Sensor	3 Megapixel 1/2.8" CMOS
Effective Pixels	2048 (H) x 1536 (V)
Minimum Illumination	0.5 lux (ICR Off) 0.095 lux (ICR On) (F1.6, 50 IRE)
Iris	F1.6 to F3.5
Focal Length	f=4.7 mm (wide) to 94.0 mm (tele)
Shutter Speed	1/1 to 1/10,000 s, Total 22 steps
Day/Night	True Day/Night, ICR
White balance	Automatic
Image Setting	Saturation, brightness, contrast adjustable by client software or IE interface
Focusing Mode	Automatic / Manual
<b>IP Specification</b>	
Video Compression	H.264, MPEG-4, MJPEG, Multiple Code Stream
Image Resolution	1920 x 1080 @ 25/30fps
Bit Rate	32K - 8Mbps (H.264) / 32K -16Mbps (MPEG-4)
Ethernet	10/100Mbps self-adaptive Ethernet interface
Supported Protocol	TCP/IP, UDP, RTP/RTCP, RTSP, HTTP, SMTP, DNS, DDNS, DHCP, FTP, NTP, PPPOE, UPNP (SNMP, HTTPS, SIP optional)
Audio Compression	G.711 (customizable as per other compression standards)
Audio Compression Rate	64Kbps
Audio Input	One-way, Linear input
Audio Output	Linear output (linear level, impedance: 600W)
Address Assignment	Static IP address / Dynamic IP address
Remote Setup	Via IE browser
<b>Pan, Tilt, Zoom</b>	
Pan Range	Horizontal rotation at 360° continuously
Pan Speed	Horizontal control speed: 0.1°/s to 240°/s Horizontal preset speed: 400°/s
Tilt Range	-2° to 90°(automatic overturning)
Tilt Speed	Vertical control speed: 0.1° to 120°/s Vertical preset speed: 250°/s
Zoom	20x Optical Zoom
Preset	254
Tour Scanning	4 Tour scanning. Time adjustable
Pattern Scanning	4 Pattern scanning

# CAIPSD334T-OW/OP

www.black.honeywell.com

## 1080P High Definition 20x IP High Speed Dome

### SPECIFICATIONS

Model	CAIPSD334T-OW/OP
<b>Recording</b>	
Recording Mode	Recording time, timed recording and trigger recording setting
Playback	Synchronous playback, fast forward, forward and pause etc
Local Storage	SD card
SD Card Storage	Max 32G
<b>Alarm and Event</b>	
Alarm Input	1 channel. Normal open. On/off
Alarm Output	1 channel. Normal open. On/off
Alarm Event	Send mail; FTP upload recorded images and captured pictures; Alarm log
Event / Log	Alarm input, video lost etc
<b>Electrical</b>	
Input Voltage	24VAC
Power Consumption	Max 33W
<b>Mechanical</b>	
Dimensions	218.3 (D) x 270.5 (H) mm (without mounting)
Weight	CAIPSD334T-OW: 4.1kg CAIPSD334T-OP: 4kg
Mounting	CAIPSD334T-OW: Outdoor wall mount CAIPSD334T-OP: Outdoor pendant mount
<b>Environmental</b>	
Protection Class	IP66
Operating Temperature	-35°C to 55°C
Operating Humidity	0 to 90% (non-condensing)
<b>Viewing System</b>	
Browser	IE 6.0 or above
<b>Software</b>	
Search and Installation	IP Finder
Operating Platform	Honeywell Vista CAIPC-CMS100
<b>OSD</b>	
Language	English, Simplified Chinese
<b>Regulatory</b>	
Certification	CE, FCC, C-tick

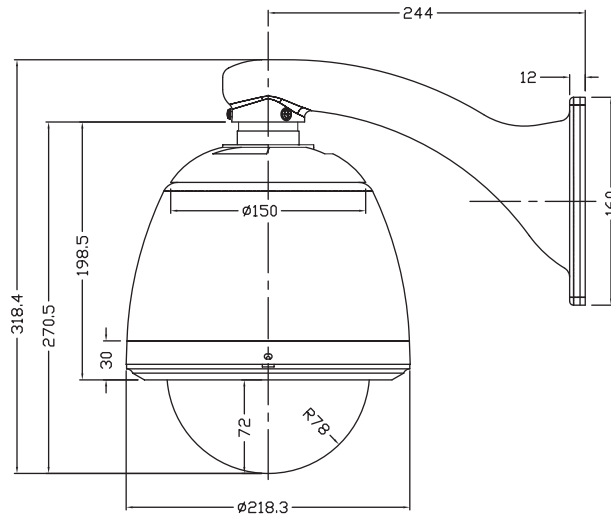
Note: Honeywell reserves the right, without notification, to make changes in product design or specifications.

# CAIPSD334T-OW/OP

www.black.honeywell.com

## 1080P High Definition 20x IP High Speed Dome

### DIMENSIONS



(Unit: mm)

### ORDERING

CAIPSD334T-OW	1080P high speed dome, 20x optical zoom, TDN, 24VAC, Wall mount
CAIPSD334T-OP	1080P high speed dome, 20x optical zoom, TDN, 24VAC, Pendant mount

For more information:

Security Hong Kong  
Security Australia Sales Hotline  
Security India

Tel: (852) 2405 2323  
Tel: 1300 234 234  
Tel: (91) 124 4975000

www.black.honeywell.com  
security.black@honeywell.com

Honeywell Security Group  
Automation & Control Solutions  
Honeywell International Inc.  
www.security.honeywell.com

Apr 2013  
© 2013 Honeywell International Inc.

# VISTA

## Honeywell