

CAM2511SC

5 Megapixel Day&Night Compact Network Camera



- Megapixel Progressive Scan Sensor
- Up to 2560 x 1920 Video Resolution
- H.264/MJPEG 2 Simultaneous Video Streams
- Support Surveon Video Intelligence
- Advanced ISP Function (WDR, ROI, Luminance Control, 2D/3D De-noise, Edge Enhancement, Lens Correction)
- Day/Night Function with IR-Cut Filter
- Power over Ethernet (IEEE 802.3af)



Product Specification

Camera	
Image Sensor	1/2.5" megapixel progressive scan CMOS
Lens	Changeable (CS/C mount)
SNR	48dB
WDR	Yes
Day/Night ICR	Yes
IR LED	N/A
Min Illumination	0.01 Lux @ F1.2 (B/W) 0.1 Lux @ F1.2 (Color)
Iris Control	DC drive
Shutter time	1/1 ~ 1/1,000,000 s
Viewing Angle	N/A
Camera Angle Adjustment	N/A
Pan/Tilt/Zoom Functionalities	N/A
Video	
Video Compression	H.264/MPEG-4/MJPEG
Resolution	Up to 2560 x 1920
Frame Rate	12 fps at QSXGA (2560 x 1920) 20 fps at QXGA (2048 x 1536) 30 fps at 1080P (1920 x 1080) 30 fps at SXGA (1280 x 1024) 30 fps at 720P (1280 x 720) 30 fps at D1 (720 x 480) 30 fps at VGA (640 x 480) 30 fps at QVGA (320 x 240)
Video Stream	Dual stream at H.264, MPEG-4, and MJPEG simultaneously
Bit Rate	32K ~ 10Mbps, VBR, CBR, controller frame rate and quality
Video Control	AGC (Auto Gain Control), AWB (Auto White Balance), AES (Auto Electronic Shutter), Luminance Control, WDR, 2D/3D De-noise, ROI, Edge Enhancement, Lens Correction, image adjustment
Intelligent video	Motion detection, tampering detection (blocked, redirected, defocused, or spray-painted)
Video Jack	N/A

Audio	
Built-in MIC	N/A
Audio Compression	16KHz, ADPCM/G.711
Audio Input/Output	3.5mm phone jack
I/O and Event Management	
Alarm In	1, terminal block
Alarm Out	1, terminal block
Video Buffer	5 second pre-alarm, 30 second post-alarm
Event Action	Send snapshot or video clip by FTP or email, record to NAS, record to local storage, trigger DO
Network	
Supported Protocols	IPv4, IPv6, ARP, TCP, UDP, ICMP, IGMP, DHCP, NTP, DDNS, SMTP, SNMP, FTP, HTTP, HTTPS, CIFS, PPPoE, UPnP, RTP, RTSP, RTCP, 3GPP, iSCSI
Ethernet	10/100 Base-T / RJ45
System	
Local Storage	microSD/SDHC x 1 (Class 4/Class 6 only)
RS-485	N/A
USB	N/A
SDK	Surveon SDK 2.0
Viewing System	
OS	Microsoft Windows XP/Vista/7
Browser	IE 8.x or above, Safari, Chrome (via IE Tab)
Software	Surveon VMS 2.5
General	
Temperature	Operation: -10°C ~ 50°C (14°F ~ 122°F)
Humidity	5 to 90%
Power	PoE (IEEE 802.3af) with Class 3
Power Consumption	Max. 5W
Dimension	64mm x 60mm x 97mm (2.52" x 2.36" x 3.82")
Weight	Net: 275g Gross: 530g
Certification	Safety: LVD EMC: FCC, CE
Warranty	3 years

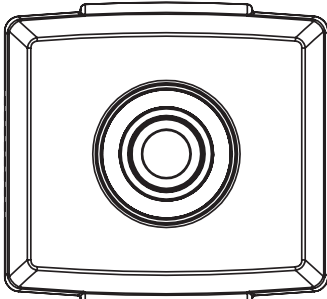
* All specifications are subject to change without notice.
* All brand names and registered trademarks are the property of their respective owners.

CAM2511SC

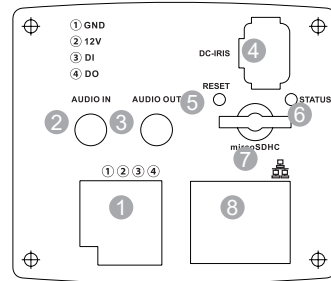
5 Megapixel Day&Night
Compact Network Camera

Part Names and Functions

Front View



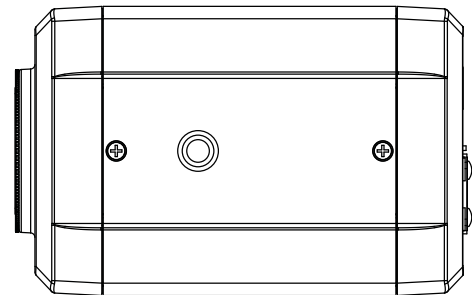
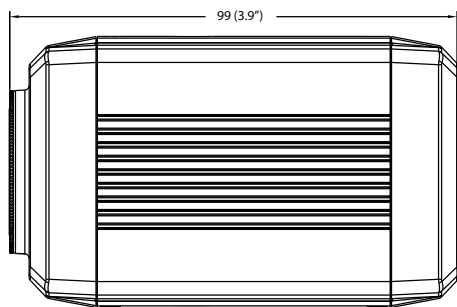
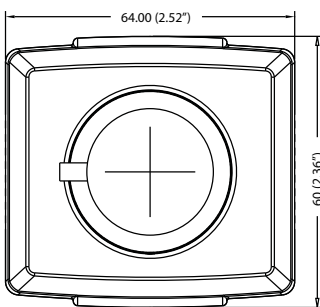
Rear View



- ① I/O terminal connectors
- ② Audio in
- ③ Audio out
- ④ DC-Iris connector
- ⑤ Reset button
- ⑥ Status indicator
- ⑦ microSDHC slots
- ⑧ Network connector

Appearance

Unit:mm(inches)



Package Content

Contents	Quantity
Quick Installation Guide	1
Product DVD	1
CAM2511 SC	1
Camera Stand	1

Optional Accessories

Part Number	Description
YBPICC0001G0	PoE Injector, 15.4W, 10/100M
ZBracketS2-0010	Camera Long Stand for Box Camera, White
ZBracketS2-0050	Camera Long Stand for Box Camera, Silver
ZHousing-0010	IP66 Top Open IK10 Vandal Proof Box Camera Housing
ZHousing50M-0010	IP66 Top Open IK10 Vandal Proof Box Camera Housing with 50M IR LED

Ordering Information

Part Number	Description
CAM2511SC	5 Megapixel Day&Night Compact Network Camera w/o lens

Lens Options

Part Number	Description
YB0LJ16G01G0	1/2.7", f3.0-10.5mm/F1.4, DC-iris, CS Mount Lens
YB0LL07K01G0	1/2", f4.5~10mm/F1.6, DC-iris, CS Mount Lens