

CAM3571

5 Megapixel Auto Focus Day&Night Bullet Network Camera



- 5 Megapixel Progressive Scan Sensor
- Up to 2560 x 1920 Video Resolution
- H.264/MPEG4/MJPEG 2 Simultaneous Video Streams
- Surveon Video Intelligent Ready
- 2x Optical Zoom with Auto Focus
- DC Iris Control and Day/Night IR-Cut Filter
- PoE (IEEE 802.3af) and WDR (Wide Dynamic Range)
- Built-in IR Illuminators, Effective Up to 30 Meters
- IP66 and Wide Temperature for Outdoor Application



Product Specification

Camera	
Image sensor	1/2.5" 5 megapixel progressive scan CMOS
Lens	4.5 - 9 mm auto focus lens, F1.2
SNR	48dB
WDR	Yes
Day/Night ICR	Yes
IR LED	Yes (Max 30M, on 1/1 Exposure)
Min illumination	0 Lux (IR LEDs on) 0.1 Lux @ F1.2 (Color)
Iris control	DC drive
Shutter time	1/1 ~ 1/1,000,000 s
Viewing angle	Diagonal: 98.5°~ 43.8° Horizontal: 80.5°~ 38.1° Vertical: 41.3°~ 21.3°
Camera angle adjustment	N/A
Pan/tilt/zoom functionalities	N/A
Video	
Video compression	H.264/MPEG-4/MJPEG
Resolution	Up to 2560 x 1920
Frame rate	14 fps at QSXGA (2560 x 1920) 21 fps at QXGA (2048 x 1536) 30 fps at 1080P (1920 x 1080) 30 fps at SXGA (1280 x 1024) 30 fps at 720P (1280 x 720) 30 fps at D1 (720 x 480) 30 fps at VGA (640 x 480) 30 fps at QVGA (320 x 240)
Video stream	Dual stream at H.264, MPEG-4, and MJPEG simultaneously
Bit rate	64K ~ 20Mbps, VBR, CBR, controller frame rate and quality
Video control	AGC (Auto Gain Control), AWB (Auto White Balance), AES (Auto Electronic Shutter), Luminance Control, WDR, 2D/3D De-noise, ROI, Edge Enhancement, Lens Correction, image adjustment
Surveon Video Intelligent	Motion detection, tampering detection (blocked, redirected, defocused, or spray-painted)

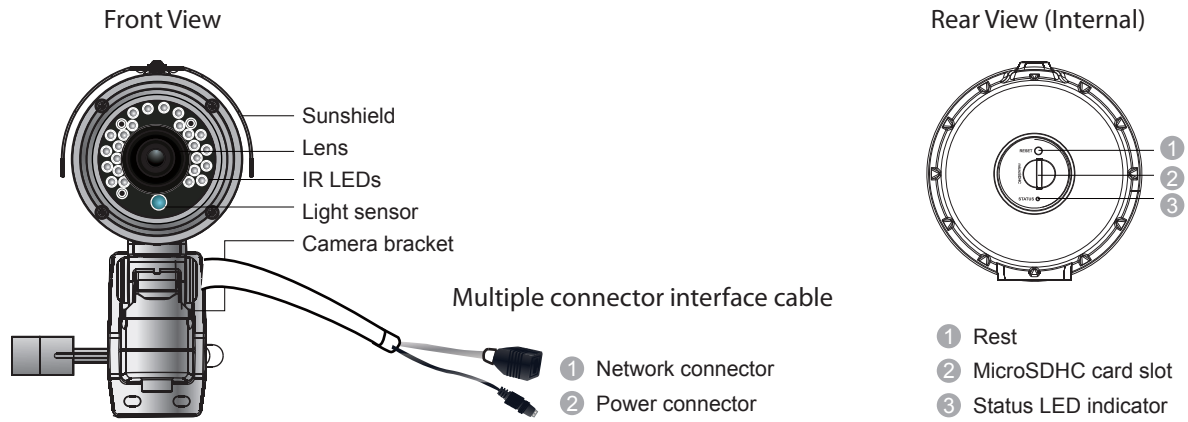
Video jack	N/A
Audio	
Built-in MIC	N/A
Audio compression	16KHz, ADPCM/G.711
Audio input/output	3.5mm phone jack (optional)
I/O and Event Management	
Alarm in	1, terminal block (optional)
Alarm out	1, terminal block (optional)
Video buffer	5 second pre-alarm, 30 second post-alarm
Event action	Send snapshot or video clip by FTP or email, record to NAS, record to local storage, trigger DO
Network	
Supported Protocols	IPv4, ARP, TCP, UDP, ICMP, IGMP, DHCP, NTP, DDNS, SMTP, FTP, HTTP, CIFS, PPPoE, UPnP, RTP, RTSP, RTCP, 3GPP, ONVIF
Ethernet	10/100 Base-T / RJ45
System	
Local storage	microSD/SDHC x 1(Class 4/Class 6 only)
RS-485	N/A
USB	N/A
SDK	Surveon SDK 2.0
Viewing System	
OS	Microsoft Windows XP/Vista/7
Browser	Microsoft IE 6.0 or above
Software	Surveon VMS 2.4.8
General	
Temperature	Operation: -40°C~ 50°C (-40°F~122°F) Storage: -30°C ~ 60°C (-22°F~140°F)
Humidity	5 to 90%
Power	12VDC 1.5A;PoE (IEEE 802.3af) with Class 3
Power consumption	Max. 9W (w/o Heater) Max. 15.4W (w/ Heater & PoE 802.3af)
Dimension	105mm x 218.8mm x 191.41mm (3.44" x 7.18" x 6.28")
Weight	Net:1,400g (3.09lb.) Gross:2,170g (4.8lb.)
Certification	LVD, FCC, CE, GOST, IP66

* All specifications are subject to change without notice.
* All brand names and registered trademarks are the property of their respective owners.

CAM3571

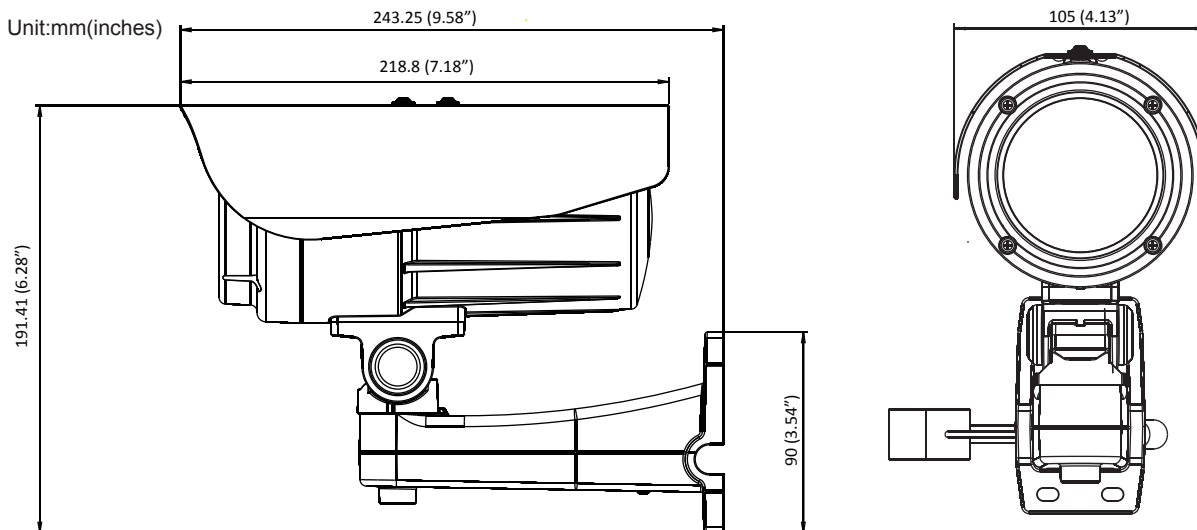
5 Megapixel Auto Focus Day&Night Bullet Network Camera

Part Names and Functions



Network Camera

Appearance



Package Content

Contents	Quantity
Quick Installation Guide	1
Product DVD	1
CAM3571	1
Camera Bracket	1
Screw Hole Indicator Sticker	1
Anchors and Mounting Screws	4
L Type Hexagon Spanner	1

Ordering Information

Part Number	Description
CAM3571M-0015	5 megapixel Auto Focus day&night outdoor bullet network camera with motorized lens

Optional Accessories

Part Number	Description
ZPWR18W-0030	Power Adapter