

# Classe 100

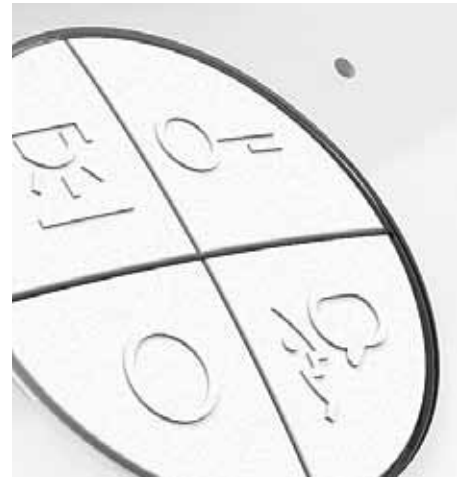


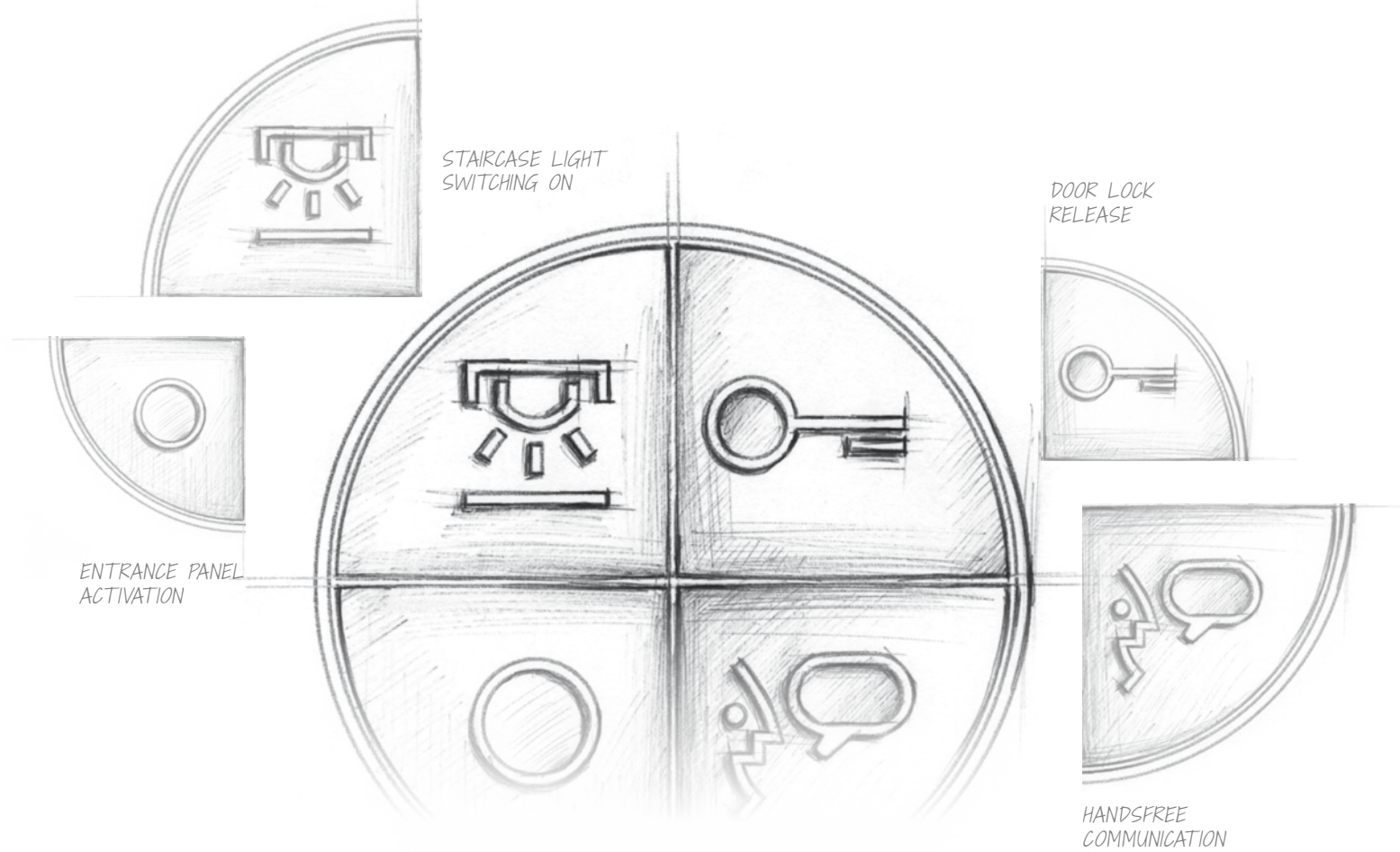


Versatility, essential and refined design, ensure maximum freedom of use

# CLASSE 100

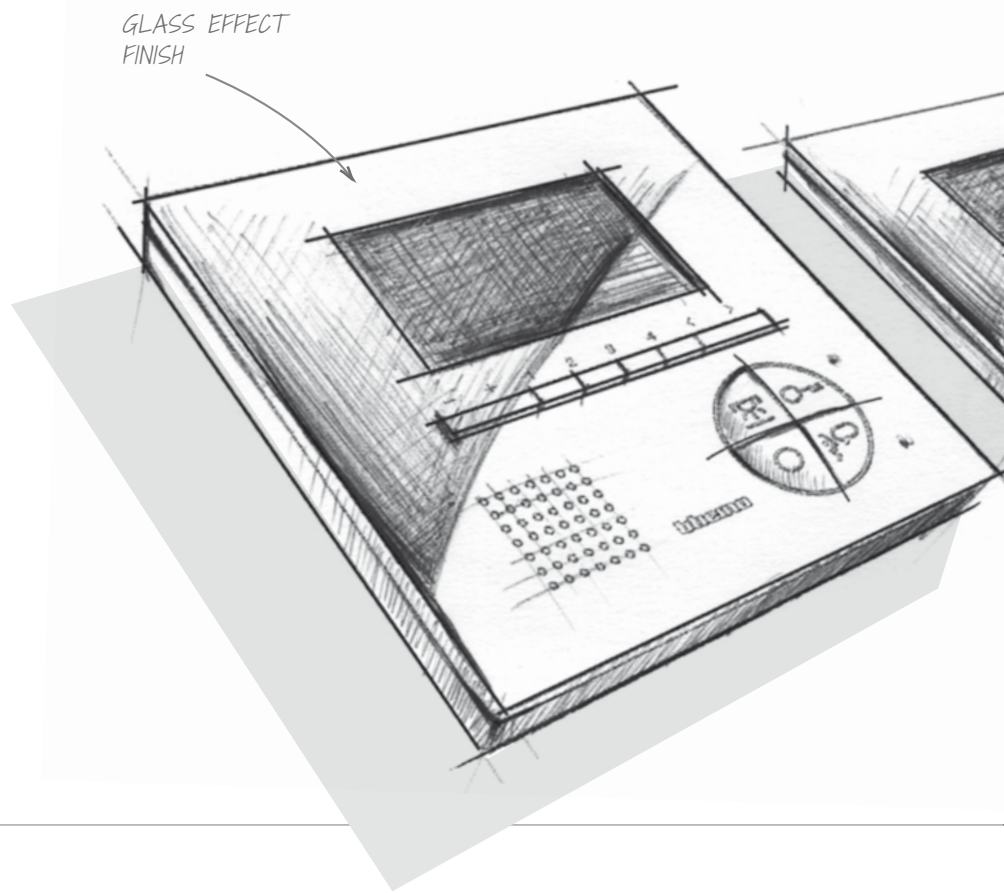
For any  
situation

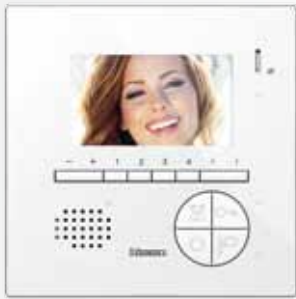




# CLASSE 100

The range of video and audio internal units, both handsfree and with handset, is suitable for different installation solutions: wall mounted, flush mounted, with adjustable device and table-top installation.





CLASSE 100V12E Video internal unit



CLASSE 100X12B Video internal unit



CLASSE 100V12B Video internal unit



CLASSE 100A12B Audio internal unit

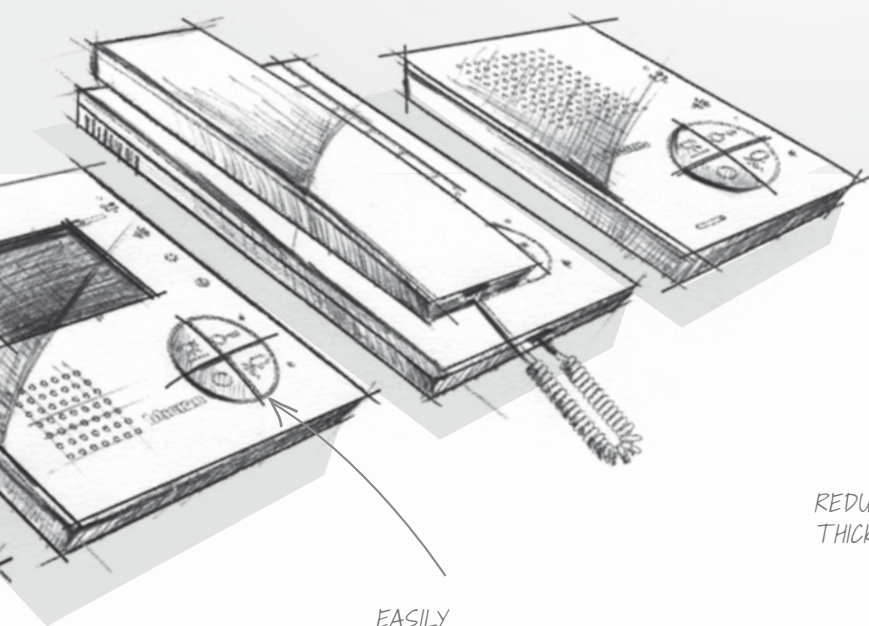


CLASSE 100A12C Audio internal unit



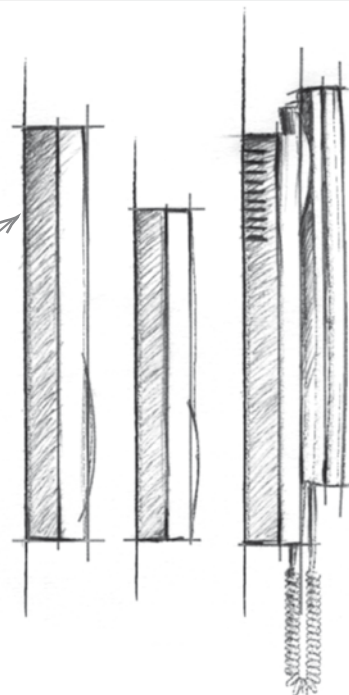
CLASSE 100A12M Audio internal unit

CLASSE 100 features a minimalist, discrete, and elegant design, enhanced by the white glass effect finish, for perfect integration in all types of decors. With the CLASSE 100 range, answering calls, and opening entrance door locks, becomes much more simple and intuitive. The easily recognised main function keys are grouped in an easy to identify circular section, which also becomes the distinguishing element of the whole range.



EASILY  
RECOGNIZABLE KEYS  
MINIMALIST, DISCRETE  
AND ELEGANT DESIGN

REDUCED  
THICKNESS



# CLASSE 100

The solution that ensures maximum installation and functional flexibility

Classe 100  
V12E





The ideal solution for specifications:  
simple, compact, essential

Classe 100  
V12B



The solution that also provides  
monitoring of energy consumptions

Classe 100  
X12B



The audio solution  
with handsfree advantages

Classe 100  
A12B



The audio solution with handset

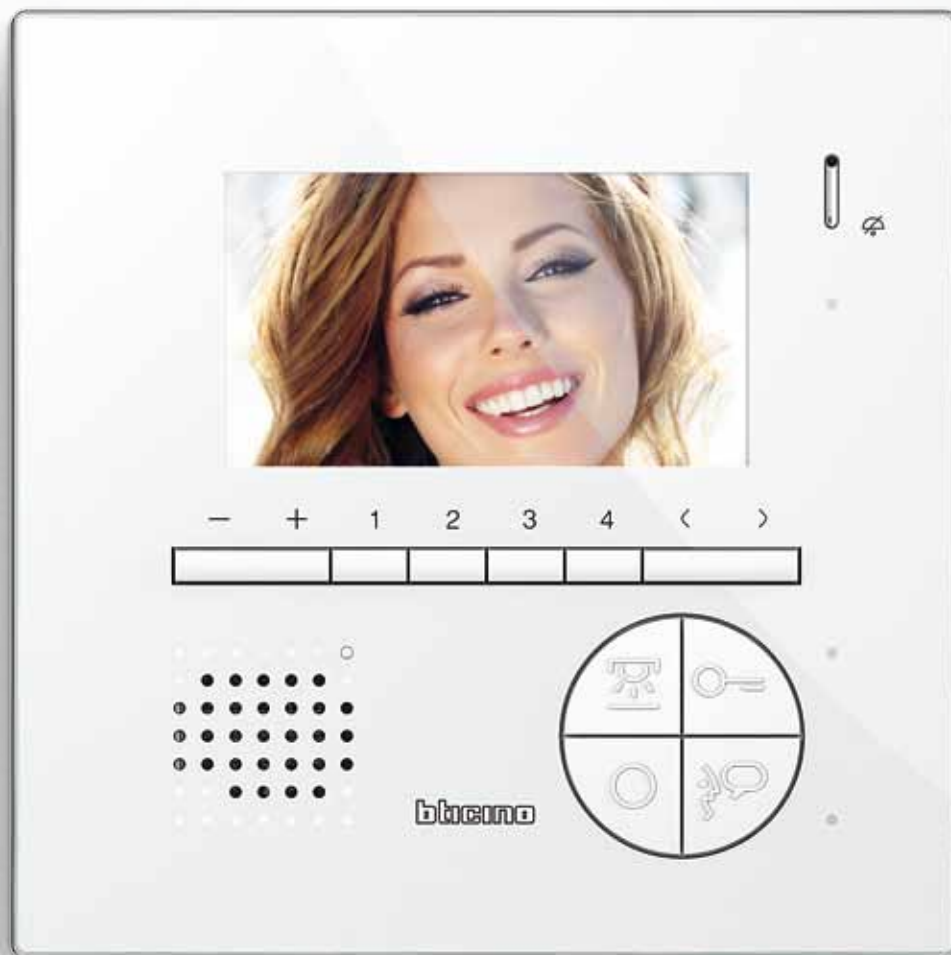
Classe 100  
A12C

Classe 100  
A12M



# Classe 100

## V12E



CLASSE 100V12E Video internal unit

The solution that ensures **maximum installation and functional flexibility**

The basic function keys, and the 4 programmable keys, guarantee together flexibility and functional versatility.



## THE DEDICATED MECHANICAL ACCESSORIES PROVIDE MAXIMUM INSTALLATION FLEXIBILITY.

### WALL MOUNTED



The standard installation already supplied.

### FLUSH MOUNTED



The installation for the thinnest profile: only 9 mm

### WITH TILTING DISPLAY



Wall mounted or flush mounted installation for the optimisation of the viewing angle of the display in any installation situation.

### WITH HANDSET



The type of installation for those who want a traditional solution, and for those situations when the confidentiality of the communication is a requirement.

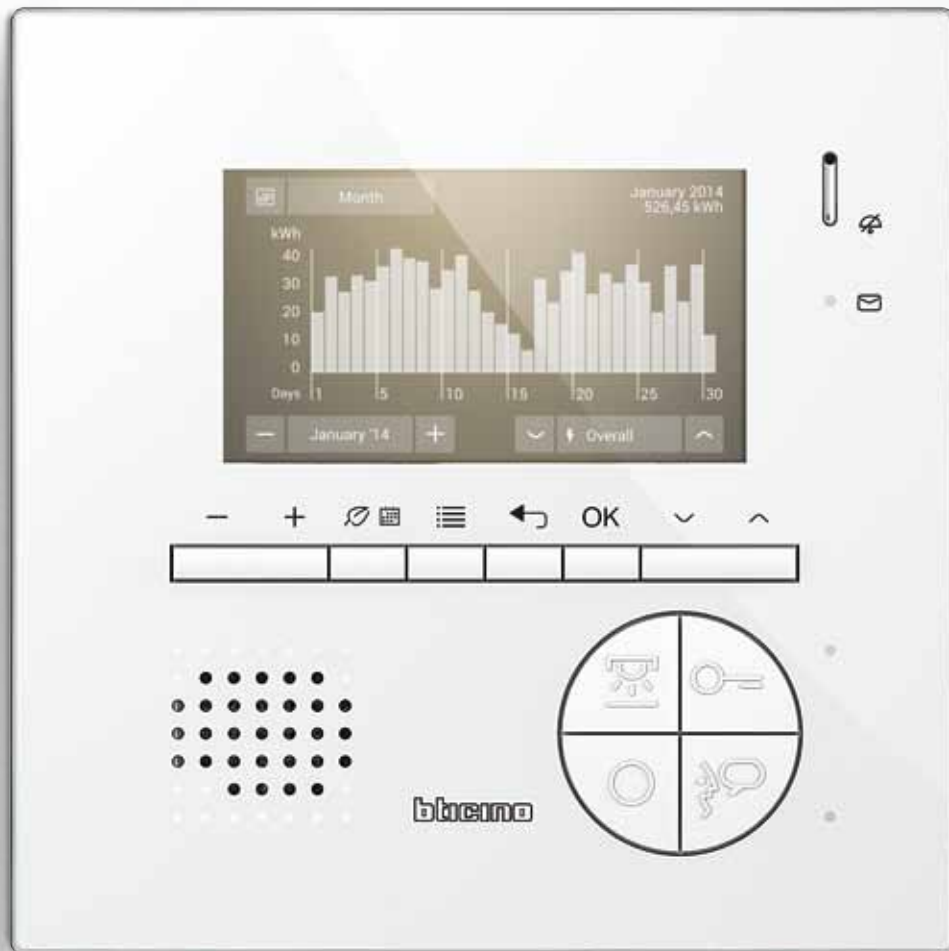
### TABLE-TOP INSTALLATION (Desktop)



The type of installation for those situations when a table-top solution is required.

# Classe 100

## X12B



CLASSE 100X12B Video internal unit

The solution that also provides monitoring of **energy consumptions**

For installations requiring basic video door entry functions, combined with the display of the energy consumptions of the home.

# VIEWING TO IMPROVE: CONSUMPTION DISPLAY FOR BETTER ENERGY EFFICIENCY



Consumption display menu dedicated keys.



When appropriately integrated in a system, **MyHome ENERGY MANAGEMENT**, provides graphic and numerical display of daily, monthly, and annual consumptions (RT 2012).

## Maximum installation flexibility

WALL MOUNTED



FLUSH MOUNTED



WITH TILTING DISPLAY



WITH HANDSET

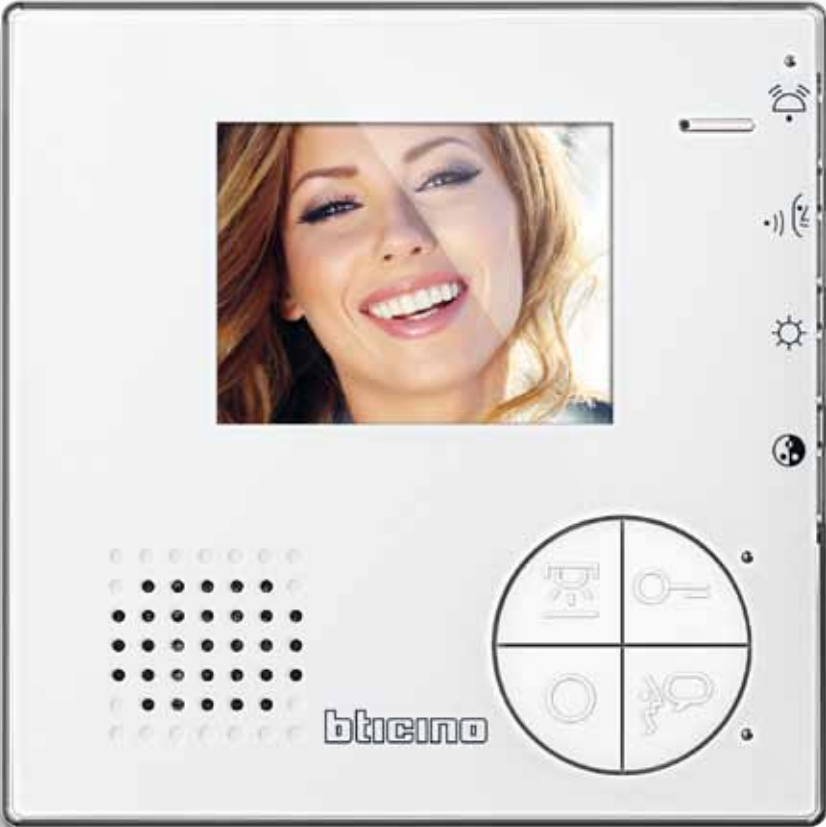


TABLE-TOP INSTALLATION (Desktop)



# Classe 100

V12B



CLASSE 100V12B Video internal unit

Simple,  
compact, essential:  
the ideal solution  
for specifications

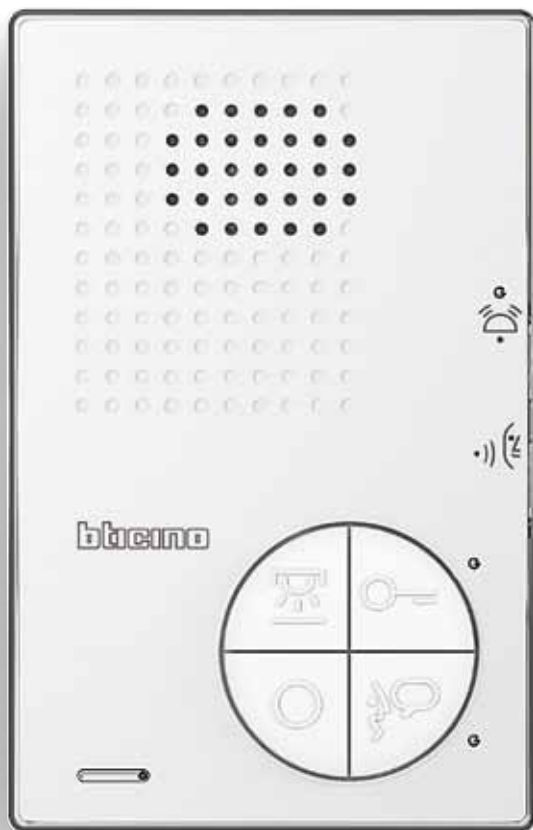
Equipped with basic  
functions only, for wall mounted  
and table-top installation.



# Classe 100

---

## A12B



CLASSE 100A12B Audio internal unit



The audio solution  
with handsfree  
advantages

For wall mounted or  
table top installation.



# Classe 100

A12C



CLASSE 100A12C Audio internal unit



## Maximum simplicity

Dedicated to the basic functions.  
For wall mounted or  
table top installation.

# Classe 100

A12M



CLASSE 100A12M Audio internal unit



## The traditional solution

With basic audio functions and additional functions, thanks to programmable keys  
For wall mounted or table top installation.

# CLASSE 100

## Catalogue and dimensional data



344522



344602



344502

### Item CLASSE 100V12E HANDSFREE VIDEO INTERNAL UNIT

#### Description

**344522** 2 WIRE handsfree colour video internal unit with inductive loop, preset for different types of installations, depending on the accessories used: wall mounted, flush mounted, table mounted, with side-by-side handset, and tilted, both when wall mounted and when flush mounted. It has a 4.3" (16:9) colour LCD display. Keys available: entrance panel/scrolling activation, door lock release, staircase lights control, handsfree connection and 4 configurable keys. Depending on the configurators connected to (M), the 4 configurable keys will perform different functions (e.g. Intercom, additional door lock activation, generic activations). LEDs used for: call exclusion, door status, connection with the entrance panel. Possibility of audio and ringtone volume adjustment (with call exclusion), as well as display colour, brightness, and contrast adjustment, using the appropriate rocker keys, after accessing the menu using the dedicated keys. 16 different ringtones available For wall mounted installation, the bracket supplied must be used. For all other types of installation, the appropriate accessories must be purchased separately. The device must be configured.

### CLASSE 100X12B HANDSFREE VIDEO INTERNAL UNIT

#### Description

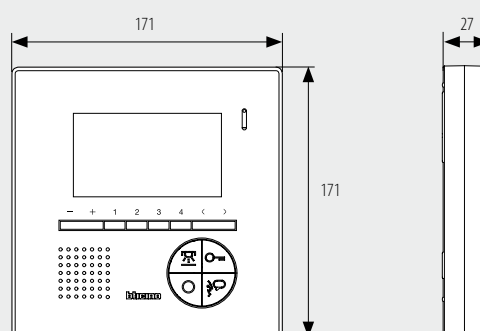
**344602** 2 WIRE handsfree colour video internal unit with inductive loop, preset for different types of installations, depending on the accessories used: wall mounted, flush mounted, table mounted, with side-by-side handset, and tilted, both when wall mounted and when flush mounted. The device, appropriately integrated with an Energy Management system, provides graphic display of consumptions. The device has a function for storing messages from a 2 WIRE switchboard. LEDs used for: call exclusion, door status, connection with the entrance panel, and new message notification. Possibility of audio and ringtone volume adjustment (with call exclusion), as well as display colour, brightness, and contrast adjustment, using the appropriate rocker keys, after accessing the menu using the dedicated keys. 16 different ringtones available For wall mounted installation, the bracket supplied must be used. For all other types of installation, the appropriate accessories must be purchased separately. The device must be configured.

### CLASSE 100V12B HANDSFREE VIDEO INTERNAL UNIT

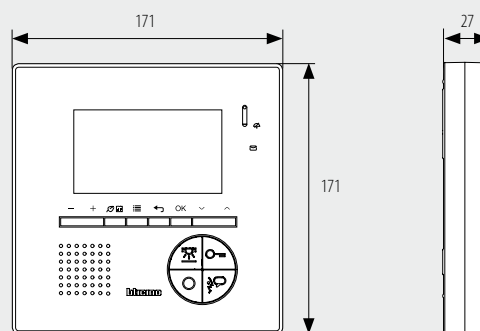
#### Description

**344502** 2 WIRE handsfree colour video internal unit for wall mounted or table-top installation (with specific support to be purchased separately). It has a 3.5" colour LCD display. Keys available: entrance panel/scrolling activation, door lock release, staircase lights control and handsfree connection. LEDs used for: call exclusion, door status, connection with the entrance panel. Independent adjustment for: bell volume (with call exclusion), loudspeaker volume, brightness and colour of the display. 16 different ringtones available. For wall mounted installation, the bracket supplied must be used. The device must be configured.

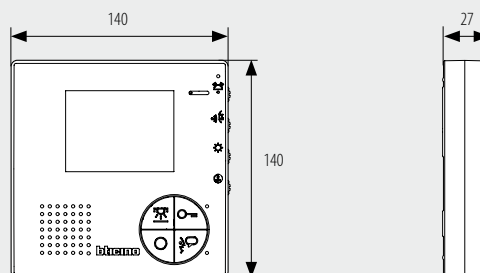
### DIMENSIONAL DATA



344522



344602



344502

Size in mm





**CLASSE 100A12B HANDSFREE AUDIO INTERNAL UNIT**

**344252** 2 WIRE handsfree internal unit for wall mounted or table-top installation (with specific support to be purchased separately).  
 Keys available: entrance panel/scrolling activation, door lock release, staircase lights control and handsfree connection.  
 LEDs used for: call exclusion, door status, connection with the entrance panel. Independent adjustment for: bell volume (with call exclusion) and loudspeaker volume.  
 16 different ringtones available.  
 For wall mounted installation, the bracket (supplied) must be used. The device must be configured.

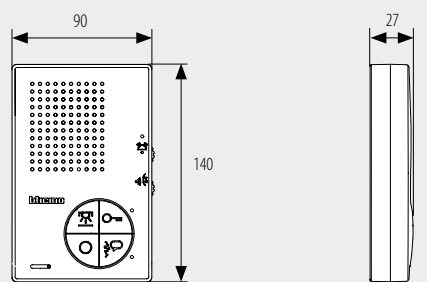
**CLASSE 100A12C HANDSET AUDIO INTERNAL UNIT**

**344262** 2 WIRE internal unit with handset for wall mounted or table-top installation (with specific support to be purchased separately).  
 Keys available: entrance panel/scrolling activation, door lock release and staircase lights control.  
 LEDs used for: call exclusion, door status, connection with the entrance panel. Bell volume adjustment (with call exclusion) using the appropriate selector. 16 different ringtones available For wall mounted installation, the bracket supplied must be used. The device must be configured.

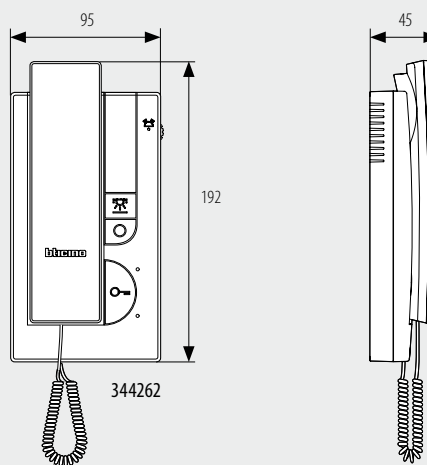
**CLASSE 100A12M HANDSET AUDIO INTERNAL UNIT**

**344272** 2 WIRE internal unit with handset for wall mounted or table-top installation (with specific support to be purchased separately). Keys available: auto-switching on / cycling, door lock release, staircase lights control and 4 configurable keys. Depending on the configurators connected to (M), the 4 configurable keys will perform different functions (e.g. Intercom, additional door lock activation, generic activations).  
 LEDs used for: call exclusion, door status, connection with the entrance panel. Bell volume adjustment (with call exclusion) using the appropriate selector. 16 different ringtones available For wall mounted installation, the bracket supplied must be used. The device must be configured.

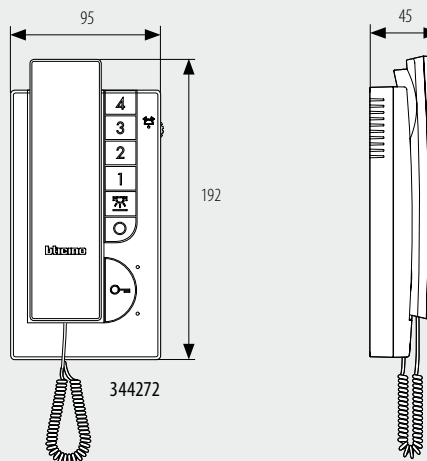
**DIMENSIONAL DATA**



344252



344262



344272

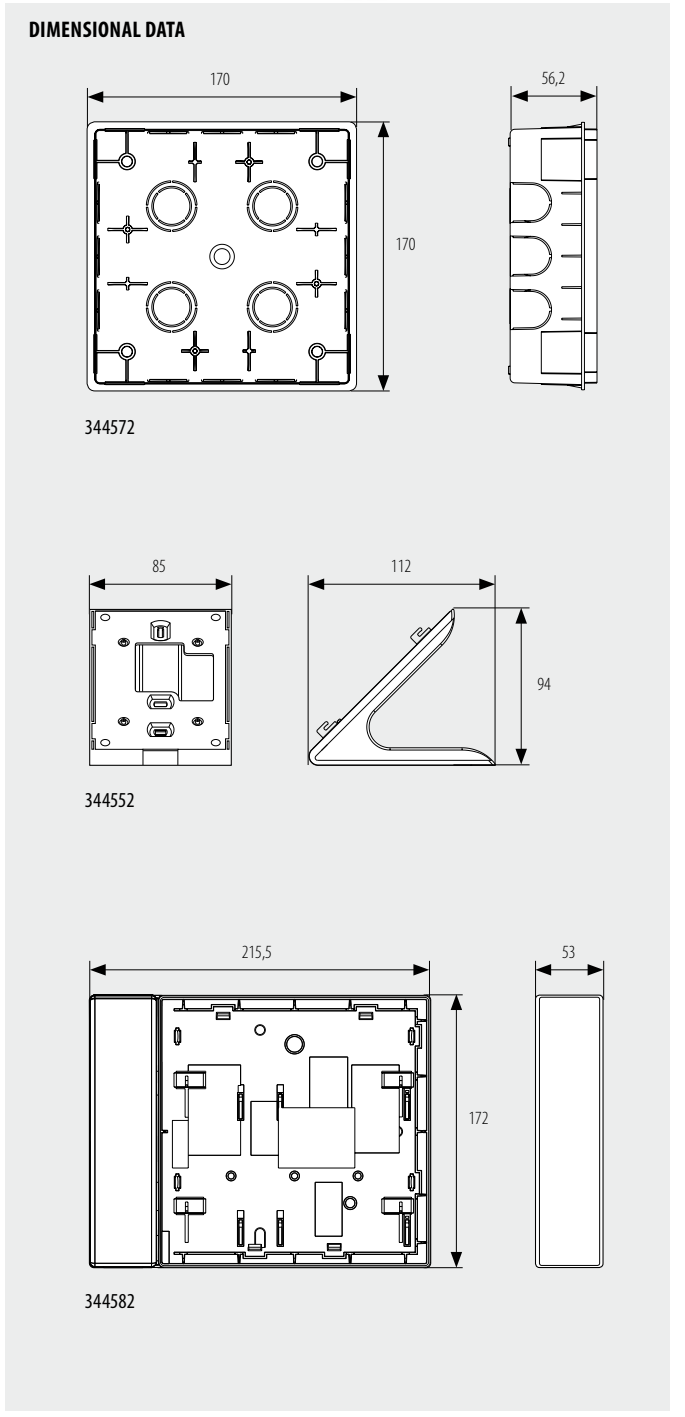
Size in mm

# CLASSE 100

## Catalogue and dimensional data

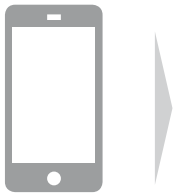


Item	FLUSH MOUNTED INSTALLATION ACCESSORY
	Description
<b>344572</b>	Accessory device for the flush mounted installation of CLASSE 100V12E (344522) and CLASSE 100X12B (344602) video internal units. The box and the flush mounted bracket are supplied with the accessory.
	<b>DEVICE TILTING ACCESSORY FOR FLUSH MOUNTED INSTALLATION</b>
	Description
<b>344562</b>	Accessory device for the flush mounted tilted installation of CLASSE 100V12E (344522) and CLASSE 100X12B (344602) video internal units. This mode of installation enables the user to tilt the video internal unit, adapting it to different viewing angles of the display (e.g. installing the devices at reduced heights for use by disabled people). The box and the flush mounted floating bracket are supplied with the accessory.
	<b>DEVICE TILTING ACCESSORY FOR WALL MOUNTED INSTALLATION</b>
	Description
<b>344592</b>	Accessory device for the wall mounted tilted installation of CLASSE 100V12E (344522) and CLASSE 100X12B (344602) video internal units. This mode of installation enables the user to tilt the video internal unit, adapting it to different viewing angles of the display (e.g. installing the devices at reduced heights for use by disabled people). The wall mounted floating bracket is supplied with the accessory.
	<b>ACCESSORY FOR TABLE SUPPORT AND CABLE</b>
	Description
<b>344552</b>	Accessory device for the table-top installation of all CLASSE 100 internal units and video internal units.
<b>336803</b>	8-way cable with connector for table-top base installation.
	<b>HANDSET ACCESSORY</b>
	Description
<b>344582</b>	Accessory device for the wall mounted or table-top installation with handset at the side (support to be purchased separately) for CLASSE 100V12E (344522), and CLASSE 100X12B (344602) video internal units. With this type of installation, the device can be used to communicate in both ways: using the handset or in handsfree mode. The accessory includes the basic support for the housing and the wall mounting of the video internal unit and the integrated audio handset. No. 2 supports 344552 are required for table-top installation (to be purchased separately).



Size in mm

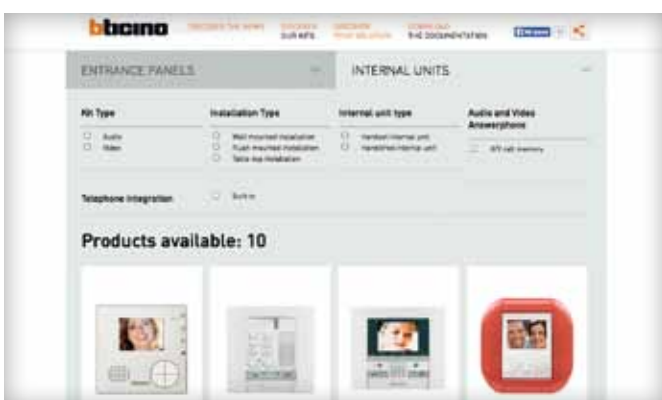
# DIGITAL TOOLS



Using the QR Code found on the video internal units, it is possible to access video content showing different installation solutions, and the accessories required.

[www.bticino.com](http://www.bticino.com)

The website with all the product information and the downloadable technical content.



**BTicino** SpA  
Viale Borri, 231  
21100 Varese  
[www.bticino.com](http://www.bticino.com)

BTicino S.p.A. reserves at any time the right to modify the contents of this booklet and to communicate, in any form and modality, the changes brought to the same.

AD-EXCM14P1100B/GB - Edition 07/2014