

## DS-1290ZJ-BL

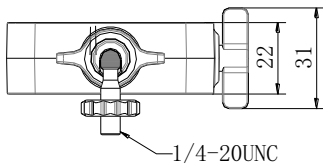
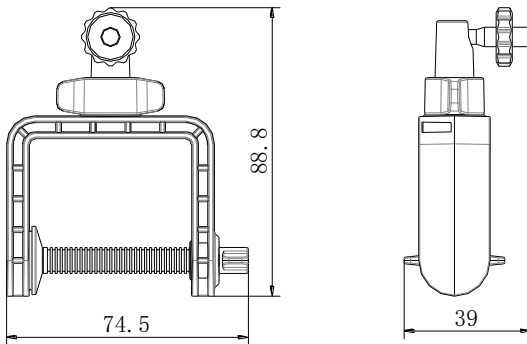
Clamp Bracket for Covert Camera



### Features:

- Adopt universal regulating mechanism, easy to adjust
- Screw thread tightening mechanism, more reliable

### Dimension:



### Order Model:

DS-1290ZJ-BL

### Parameter:

Model	DS-1290ZJ-BL
Parameters	Clamp Bracket for Covert Camera
Appearance	Black
Material	Plastic
Dimension	90x70x22mm
Weight	56g

**Note:** The actual dome camera may vary from the picture above.