

## DS-1330HZ

Indoor Housing



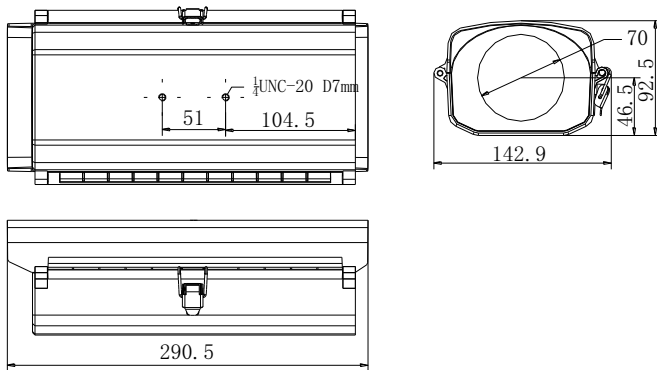
### Key Features:

- New side cover design, easy for installation
- Composite fiber material, low weight
- IP54, Good dustproof performance
- Silk printing design in lens cover

### Order Models:

DS-1330HZ

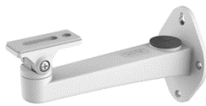
### Dimensions:



### Specification:

Model	DS-1330HZ
Parameter	Indoor Housing
Protection Level	IP54
Material	Composite fiber
Dimension(mm)	290.5 × 142.9 × 92.5mm
Weight	640g

### Brackets:



DS-1293ZJ Wall Mounting Bracket



DS-1214ZJ Pole Mounting Bracket



DS-1203ZJ Pendant Mounting Bracket



DS-1269ZJ Pendant Mounting Bracket