

DS-1695ZJ

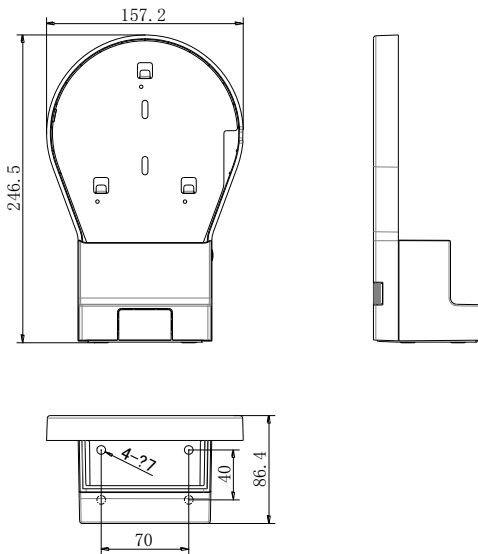
Wall Mount Bracket for PTZ Camera



Features:

- Aluminum alloy and Plastic material with surface spray treatment
- Hikvision white

Dimension:



Order Model:

DS-1695ZJ

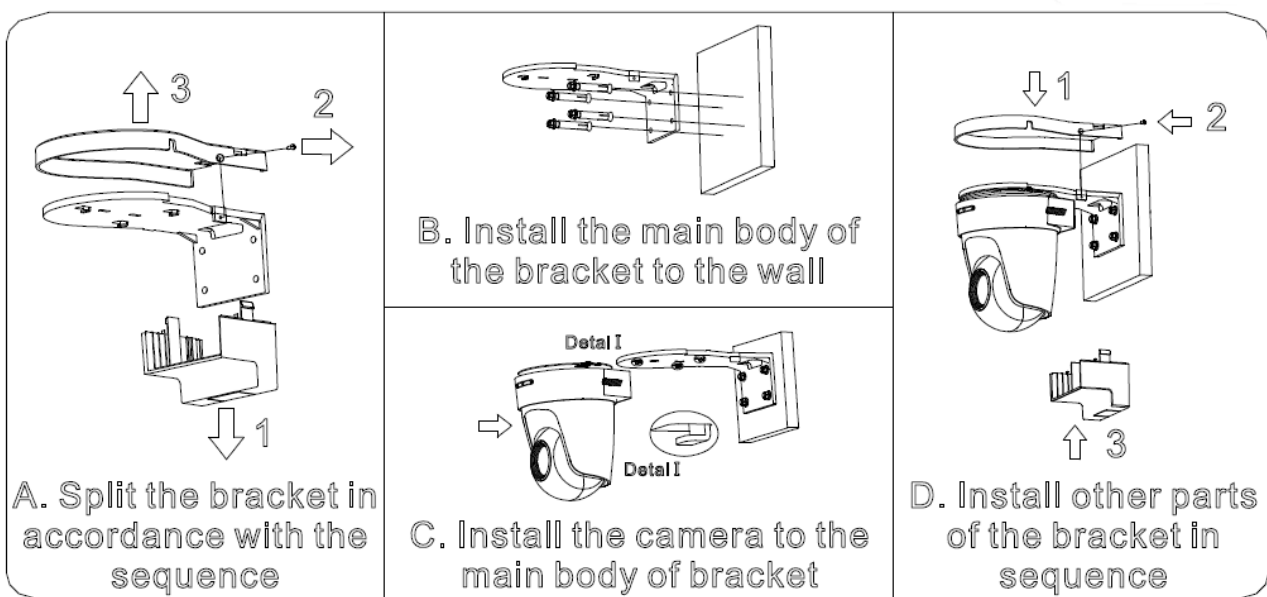
Parameter:

Model	DS-1695ZJ
Parameters	Wall Mount Bracket for PTZ Camera
Appearance	Hikvision White
Material	Aluminum alloy + Plastic
Dimension	246×86×157mm
Weight	450g

Notice:

- The bracket should be installed on flat wall
- The wall must be capable of supporting over 3 times as much as the total weight of the camera and the mount.
- The maximum load capacity of the bracket is **4.5KG**

Installation Step:



Note: The actual dome camera may vary from the picture above.