

DS-2TD2035-HZ8(25)

Outdoor Thermal Network Camera



Key Features:

- Advanced passive Infrared thermal technology, up to 384 x 288 resolution
- Standard H.264/MJPEG video compression with high compression ratio and flexible managing
- Full real-time network monitoring; compatible for standard platform software accessing
- Up to 64G SD/SDXC card of local storage
- Local analog output is convenient for installation and adjustment
- Two-way audio
- Dual stream is supportable

Application Scenario:

Mainly used for low illumination scenario or strong light interference. It has good performance for large scale area such as airport, port, oil field, boundary, forest, place of interest, military area, etc.

Accessory:

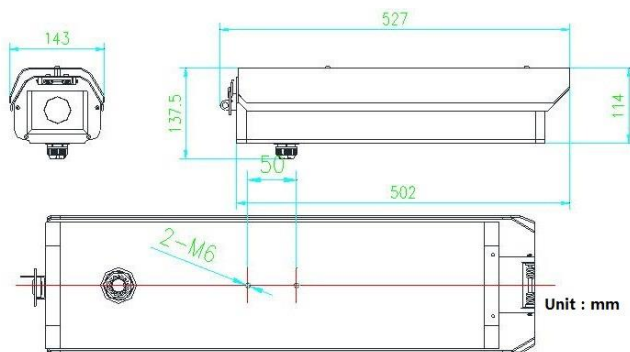


DS-1292ZJ Wall Mount



DS-1293ZJ Wall Mount

Dimensions:



Order Models

DS-2TD2035-HZ8, DS-2TD2035-HZ25

Specification:

Model	DS-2TD2035-HZ8(25)	
Parameter	Outdoor Thermal Network Camera	
Camera		
Image Sensor	Vanadium Oxide Uncooled Focal Plane Detectors	
Max. Resolution	384 X 288	
Response Waveband	8~14μm	
NETD	NETD <50mk(@25°C, F#=1.0)	
Lens (Focus)	9.6mm	25mm
Spatial Resolution	2.60	1.00
Detection Range (Vehicle)	589m	1533m
Detection Range (Human)	192m	500m
Recognition Range (Vehicle)	147m	383m
Recognition Range (Human)	48m	125m
Identification Range (Vehicle)	74m	192m
Identification Range (Human)	24m	63m
Field Angle	60.2°x44.2°	21.7°x16.4°
F Value	1.0	1.0
Compression Standard		
Video Compression	H.264 / MJPEG	
Video Bit Rate	32Kbps~16Mbps	
Audio Compression	G.711u/G.711a/G.722.1/MP2L2/G726/ PCM	
Image		
Image Size	384 x 288	
Video Output	PAL	
Frame Rate	25fps(384 x 288)	
Image Setting	Brightness and contrast are adjustable via client software or web browser	
Focus	Manual(9.6mm)	Electric(25mm)
Color Palette	White Hot, Black Hot, Fusion1, Rainbow, Fusion2, Ironbow1, Ironbow2, Sepia, Color1, Color2, Ice Fire, Rain, Red Hot, Green Hot	
Function		
Storage	Support SD/SDHC (64G), NAS(iSCSI optional)	
Intelligent Analysis	Line crossing detection, Region entrance, Region exiting, Intrusion detection, Hot spot detection	
Protocols	TCP/IP, HTTP, DHCP, DNS, DDNS, RTP, RTSP, PPPoE, SMTP, NTP (SNMP, HTTPS, SIP, FTP, SRTP, 802.1X, IPv6 optional)	
General	Motion Detection, One-key recovery, Anti-flicker, Dual stream, Heartbeat, Watermark, Password protection	
Interface		
Audio Input	1-ch 3.5 mm audio interface, MIC IN/Line IN	
Audio Output	1-ch 3.5 mm audio interface (Line level, 600 Ω)	
Communication Interface	1 RJ45 10M/100M Self-adaptive Ethernet interface; 1 RS-422 interface	
Alarm Input	3	
Alarm Output	3	
Video Output	1Vp-p composite output (75 Ω/BNC)	
Installation interface	Standard close nipple for camera (1/4 UNC thread)	
General		
Operation Conditions	-30 °C – 60 °C Humidity 90% or less (non-condensing)	
Power Supply	AC24V	
Power Consumption	75W MAX	
Weight	10Kg	