

## DS-2XM6612(D)FWD-I 1.3MP ICR Mobile Network Turret Camera



### Key Features

- Up to 1.3 megapixel high resolution
- Support Smart IR, Up to 3m IR range
- IR cut filter with auto switch
- Support on-board storage, up to 128GB
- Build-in microphone
- 120dB Wide Dynamic Range
- 3D Digital Noise Reduction
- Backlight Compensation
- Auto Electronic Shutter



## Specifications

| <b>Camera</b>               |  |
|-----------------------------|--|
| Image Sensor                | 1/3" Progressive Scan CMOS   |
| Min. Illumination           | 0.01Lux @ (F1.2, AGC ON), 0 Lux with IR<br>0.028Lux @ (F2.0, AGC ON), 0 Lux with IR  |
| Shutter Speed               | 1/3 s to 1/100,000 s   |
| Lens                        | 4mm, horizontal field of view: 73.1°; [2.0mm (115°); 2.8mm (92.5°); 6mm (46°); 8mm (35.52°); 12mm (22°), optional]   |
| Lens Mount                  | M12  |
| Day & Night                 | IR cut filter with auto switch   |
| DNR                         | 3D DNR   |
| Wide Dynamic Range          | 120dB  |
| Angle Adjustment            | Tilt: -20° to 20°, Rotation: 0° to 360°  |
| <b>Compression Standard</b> |  |
| Video Compression           | H.264/MJPEG  |
| H.264 Type                  | Main Profile   |
| Video Bit Rate              | 32 Kbps to 16 Mbps   |
| Audio Compression           | G.711/G.726/MP2L2/G722.1   |
| Audio Bit Rate              | 64Kbps(G.711)/16Kbps(G.726)/32Kbps to 128Kbps(MP2L2)/32Kbps(G722.1)  |
| Dual Streams                | Support  |
| <b>Image</b>                |  |
| Max. Resolution             | 1280 × 960   |
| Main Stream                 | 50Hz: 25fps (1280 × 960, 1280 × 720)<br>60Hz: 30fps (1280 × 960, 1280 × 720)   |
| Sub Stream                  | 50Hz: 25fps (352 × 288, 640 × 360)<br>60Hz: 30fps (352 × 240, 640 × 360)   |
| Image Settings              | Saturation, Brightness, Contrast, etc., adjustable by client software or web browser   |
| Backlight Compensation      | Support, zone optional   |
| Region of Interest          | Support one customized region for each stream  |
| <b>Network</b>              |  |
| Network Storage             | Support Micro SD/SDHC/SDXC card (up to 128 GB) local storage and NAS (NFS,SMB/CIFS)  |
| Alarm Trigger               | Motion Detection, Tampering Alarm, Intrusion Detection, Line Crossing Detection, HDD Full, HDD Error, Network Disconnected, IP Address Conflicted, Illegal login |
| Protocols                   | TCP/IP, UDP, ICMP, HTTP, HTTPS, FTP, DHCP, DNS, DDNS, RTP, RTSP, RTCP, PPPoE, NTP, UPnP, SMTP, SNMP, IGMP, QoS, IPv6, Bonjour                                    |
| Standard                    | ONVIF (PROFILE S, PROFILE G), PSIA, CGI, ISAPI   |
| General Function            | Mirror, Dual Streams, Anti-Flicker, Watermark, Password Protection, Privacy Mask   |
| <b>Interface</b>            |  |
| Communication Interface     | 1 RJ45 10M/100M Ethernet port  |
| On-board Storage            | Built-in Micro SD/SDHC/SDXC slot, up to 128GB  |

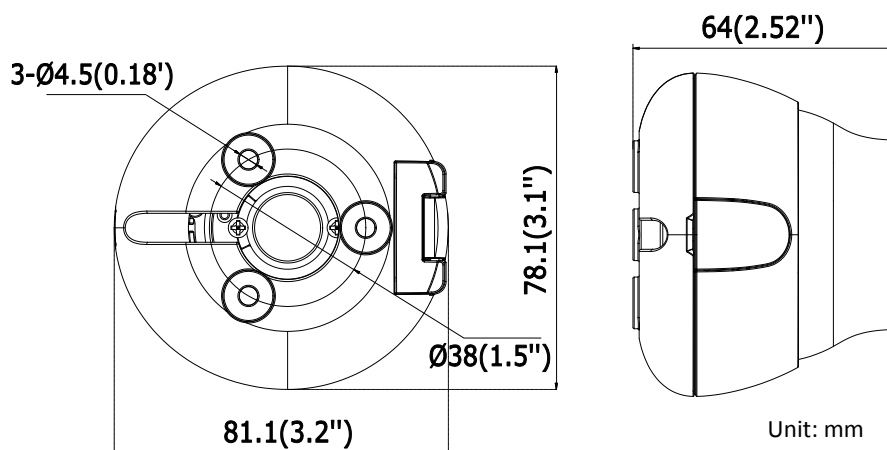
## General

|                      |   |
|----------------------|---|
| Operating Conditions | -30°C to 60 °C (-22 °F to 140 °F), Humidity 10% to 90% (non-condensing) |
| Power Supply         | DC12V ± 10%   |
| Power Consumption    | Max. 3.5W   |
| Cable Length         | 0.8 m   |
| IR Range             | Approx. 3 meters  |
| Dimensions           | 81.1 × 78.1 × 64 (3.2" × 3.1" × 2.52")                                  |
| Weight               | 400g (0.88 lbs)   |

## Order Models

DS-2XM6612FWD-I (Support true WDR, Poe power supply, IR)  
 DS-2XM6612DFWD-I (Support true WDR, IR)

## Dimension



Distributed by



### Headquarters

No.555 Qianmo Road, Binjiang District,  
 Hangzhou 310051, China  
 T +86-571-8807-5998  
 overseasbusiness@hikvision.com

**Hikvision USA**  
 T +1-909-895-0400  
 sales.usa@hikvision.com

**Hikvision Europe**  
 T +31-23-5542770  
 saleseuro@hikvision.com

**Hikvision Middle East**  
 T +971-4-8816086  
 salesme@hikvision.com

**Hikvision Russia**  
 T +7-495-669-67-99  
 saleru@hikvision.com

**Hikvision India**  
 T +91-22-28469900  
 sales@pramahikvision.com

**Hikvision Italy**  
 T +39-0438-6902  
 info.it@hikvision.com

**Hikvision France**  
 T +33(0)1-85-330-444  
 info.fr@hikvision.com

**Hikvision Spain**  
 T +34-91-737-16-55  
 info.es@hikvision.com

**Hikvision Poland**  
 T +48-22-460-01-50  
 poland@hikvision.com

**Hikvision UK**  
 T +44-1628-9021-4  
 support.uk@hikvision.com

**Hikvision Singapore**  
 T +65-6684-4718  
 sg@hikvision.com

**Hikvision Oceania**  
 T +61-2-8599-4233  
 salesau@hikvision.com

**Hikvision Hong Kong**  
 T +852-2151-1761

**Hikvision Canada**  
 T +1-909-895-0400  
 sales.usa@hikvision.com