

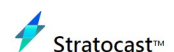


# IB9365-EHTV-v2

Bullet Network Camera

2MP 60fps • H.265 • SNV II • WDR Pro II • 50M IR • Smart IR III • Vision Object Analytics • NEMA 4X • -50°C ~ 60°C

- 60 fps @ 1920x1080
- H.265 Compression Technology with Smart Stream III
- Installation-friendly Design
- Weather-proof IP66, IP67 and Vandal-proof IK10, NEMA 4X-rated Protection
- SNV II (Supreme Night Visibility) for Low Light Conditions
- WDR Pro II for Unparalleled Visibility in Extremely Bright and Dark Environments
- Built-in IR Illuminators up to 50M/100M with Smart IR III
- Signed Firmware and Secure Boot
- AI-powered Smart Motion Detection and Smart VCA
- Cyber Protection via Trend Micro IoT Security





# Technical Specifications

## System Information

Model	IB9365-EHTV-v2
CPU	Multimedia SoC (System-on-Chip)
Flash	8 GB
RAM	2 GB

## Camera Features

Image Sensor	1/2" Progressive CMOS
Max. Resolution	1920x1080 (2MP)
Lens Type	Motorized, Vari-focal, Remote Focus
Focal Length	f = 4 ~ 9 mm (f = 3.5~11.4 mm, equivalent focal length @ 1/2.8")
Aperture	F1.3 ~ 2.2
Iris Type	P-iris
Field of View	100° ~ 46° (Horizontal) 52° ~ 26° (Vertical) 120° ~ 53° (Diagonal)
Shutter Time	1 sec. to 1/100,000 sec.
WDR Technology	WDR Pro II
Day/Night	Yes
Removable IR-cut Filter	Yes
IR Illuminators	Built-in IR illuminators, effective up to 50 meters with Smart IR II, IR LED*4
Minimum Illumination	0.040 lux @ F1.3 (Color), 50IRE 0.015 lux @ F1.3 (Color), 30IRE <0.005 lux @ F1.3 (B/W) 0 lux with IR illumination on
Pan Range	±180°
Tilt Range	90°
Rotation Range	±180°
Pan/Tilt/Zoom Functionalities	ePTZ: 48x digital zoom (4x on IE plug-in, 12x built-in)
Storage	Seamless Recording to MicroSD/SDHC/SDXC card slot and recording to network-attached storage (NAS)
Built-in Installation Aids	Remote focus, remote zoom, Micro USB*, pixel calculator *Requires Wi-Fi dongle and Micro B converter

## Video

Video Compression	H.265, H.264, MJPEG
Maximum Frame Rate	60 fps @ 1920x1080
Maximum Streams	3 video streams (Up to 8 configurable profiles)
S/N Ratio	58 dB
Dynamic Range	140 dB
Video Streaming	Adjustable resolution, quality and constant bit rate control, Smart Stream III
Image Settings	General settings: video title and time stamp overlay, video orientation (flip, mirror, rotation), day/night settings; Illuminators: illuminators, Smart IR (target zone); Image settings: white balance, image adjustment (brightness, contrast, saturation, sharpness, gamma curve), defog, 3DNR, LDC, EIS, scene mode (auto, deblur); Exposure: BLC, HLC, exposure control (exposure level, iris adjustment, exposure time, gain control, iris mode), AE speed adjustment, WDR; Focus: zoom, focus; Privacy mask; Pixel calculator; Scheduled profile settings

## Audio

Audio Capability	Two-way audio (Full duplex)
Audio Compression	G.711, G.726
Audio Interface	External microphone input External line output

## Network



Users	Live viewing for up to 10 clients
Security	Access list, CSRF protection, digest authentication, HTTPS , IEEE 802.1x, password protection, secure boot, signed firmware, Trend Micro IoT Security (brute force attack event, cyberattack event, quarantine event), user access log, user account management
Protocols	802.1X, ARP, Bonjour, CIFS/SMB, DDNS, DHCP, DNS, FTP/SFTP, HTTP/HTTPS, ICMP, IGMPv3, IPv4, IPv6, NTP, PPPoE, QoS (CoS/DSCP), RTSP/RTP/RTCP, SMTP, SNMP, SSL, TCP/IP, TLS 1.2, UDP, UPnP
Interface	10 Base-T/100 Base-TX Ethernet *It is highly recommended to use standard CAT5e & CAT6 cables which are compliant with the 3P/ETL standard.
ONVIF	Profile G, S, T supported, specification available at <a href="http://www.onvif.org">www.onvif.org</a>

### AI Analytics

Compute Capability	Built-in CNN acceleration module
Vision Object Analytics	Object Detection: people, vehicle (4-wheeled, 2-wheeled); Attribute Extraction: people (gender, color, bag, hat), vehicle (bike, bus, car, motorcycle, truck, color); Re-Search Extraction; Path Extraction
Event Application	Smart Motion Detection (Five-window video motion detection, people detection, vehicle detection, time filter), Smart VCA (Intrusion detection, loitering detection, line crossing detection, unattended object detection, missing object detection, face detection, crowd detection, running detection, parking violation detection*, restricted zone detection*) *License required. Please access <a href="https://license.vivotek.com/">https://license.vivotek.com/</a> for free trial license.
AI-powered Image Enhancement	Smart IR III
Applications	Deep Learning VCA (Smart Motion Detection, Smart VCA)

### Solution Integration

VADP Package	Stratocast, Trend Micro IoT Security (3-year free trial)
--------------	--

### Alarm and Event

Event Trigger	Audio detection, camera tampering detection, cybersecurity events (brute force attack event, cyberattack event, quarantine event), digital input, manual trigger, motion detection, periodical trigger, recording notification, SD card life expectancy, shock detection, system boot
Event Action	Event notification via audio clip, camera link, digital output, email, HTTP, FTP/SFTP, NAS server, SD card File upload via email, HTTP, FTP/SFTP, NAS server, SD card

### General

Connectors	RJ-45 cable connector for 10/100 Mbps PoE network connection Audio line input Audio line output DC 12V power input AC 24V power input Digital input*3 Digital output*3 Micro USB
LED Indicator	System power and status indicator
Power Input	AC 24V, DC 12V, IEEE 802.3at PoE Class 4 (Power Redundancy)
Power Consumption	PoE: Max. 22.23/18.65 W (IR on/off) DC 12V: Max. 17.28/13.70 W (IR on/off) AC 24V: Max. 18.26/14.68 W (IR on/off)
Dimensions	ø 153 x 283 mm
Weight	1.86 kg
Certifications	EMC: CE (EN 55032/EN 55035 Class A, EN 50121-4), FCC (FCC Part 15 Subpart B Class A), UKCA (BS EN 55032/BS EN 55035 Class A), RCM (AS/NZS CISPR 32 Class A), VCCI (VCCI-CISPR 32 Class A), IC (ICES-003 Issue 7); Safety: UL (UL 62368-1), CB (IEC/EN 62368-1, IEC/EN 60950-22, IEC/EN 62471), LVD, (EN 62368-1), UKCA (BS EN IEC 62368-1); Environment: IK10 (IEC 62262), IP66/67 (IEC 60529), NEMA (NEMA 250 Type 4X), IEC 60068-2-11; IA: BIS (IS 13252), BSMI (EMC: CNS 15936, Safety: CNS 15598-1)
Operating Temperature	Starting Temperature: -30°C ~ 60°C (-22°F ~ 140°F) Working Temperature: -50°C ~ 60°C (-58°F ~ 140°F) (IR off) -50°C ~ 50°C (-58°F ~ 122°F) (IR on)
Humidity	98% RH (non-condensing)
Warranty	36 months

### System Requirements

Operating System	Microsoft Windows 10/8/7 Mac 10.12 (Chrome only)
------------------	---



---

Web Browser	Chrome 58.0 or above
Other Players	VLC: 1.1.11 or above

---

### Included Accessories

---

Packing Contents	Quick installation guide, product labels, alignment sticker, L-shaped wrench, screw pack, waterproof accessory pack, sunshield, I/O cable, adaptor plate, conduit bracket
------------------	---

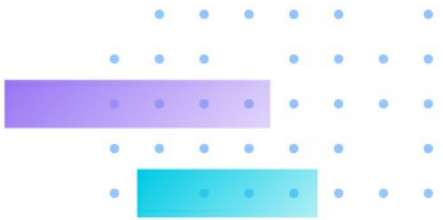
---

### DORI (EN 62676-4 Standard)

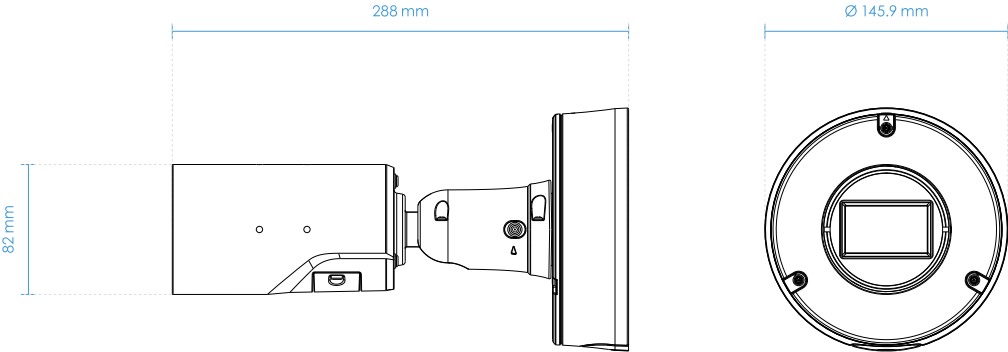
---

Detect (25PPM/ 8PPF)	Wide: 49.1 m (161.0 ft) Tele: 96 m (315.1 ft)
Observe (63PPM/ 19PPF)	Wide: 19.6 m (64.3 ft) Tele: 38.4 m (126.0 ft)
Recognize (125PPM/ 38PPF)	Wide: 9.8 m (32.1 ft) Tele: 19.2 m (63.0 ft)
Identify (250PPM/ 76PPF)	Wide: 4.8 m (15.8 ft) Tele: 9.6 m (31.4 ft)

---



# Dimensions



# Compatible Accessories

## Mounting Kits



AM-312  
Pole Mount Adapter

## Mounting Kits



AM-412  
Corner Mount Adapter