

2MP 30x IR Network PTZ Dome Camera

IPC6222ER-X30(P)-B



Key Features

Optics

- 30X Optical Zoom
- Accurate and fast focusing
- Smart IR, up to 150m (492ft) IR distance
- Optical glass window with higher light transmittance
- IR anti-reflection window to increase the infrared transmittance
- 120dB true WDR

Compression

- Ultra 265, H.265, H.264, MJPEG

- Triple streams
- Customized OSD

Network

- ONVIF Conformance

Structure

- Innovative snow-removing functionality
- More effective heat dissipation system
- Intelligent temperature control technology
- 6KV surge protection designed for network interface

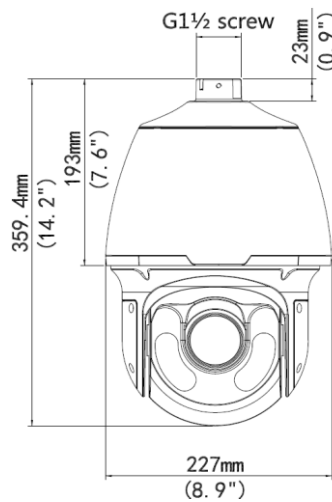
Specifications

| | IPC6222ER-X30-B | IPC6222ER-X30P-B | | | |
|-------------------------|--|------------------|-------------|---------------|--------------|
| Camera | | | | | |
| Sensor | 1/2.8", 2.0 megapixel, progressive scan, CMOS | | | | |
| Lens | 4.5 ~ 135mm, AF automatic focusing and motorized zoom lens | | | | |
| Digital Zoom | 16 | | | | |
| Optical Zoom | 30 | | | | |
| DORI Distance | Lens (mm) | Detect (m) | Observe (m) | Recognize (m) | Identify (m) |
| | 4.5 | 69.8 | 27.9 | 14 | 7 |
| | 135 | 2094.8 | 837.9 | 419 | 209.5 |
| Angle of View (H) | 56.7° ~ 2.28° | | | | |
| Angle of View (V) | 31.89° ~ 1.28° | | | | |
| Angle of View (O) | 65.05° ~ 2.61° | | | | |
| Shutter | Auto/Manual; shutter time: 1 ~ 1/100000s | | | | |
| Minimum Illumination | Colour: 0.001Lux (F1.5, AGC ON) 0Lux with IR | | | | |
| Iris | AutoI; F1.5 ~ F4.0 | | | | |
| Day/Night | IR-cut filter with auto switch (ICR) | | | | |
| Digital noise reduction | 2D/3D DNR | | | | |
| S/N | >52dB | | | | |
| IR Range | Up to 150m (492ft) | | | | |
| Defog | Digital Defog | | | | |

| | |
|------------------------|--|
| WDR | 120dB |
| Video | |
| Video Compression | Ultra 265, H.265, H.264, MJPEG |
| H.264 code profile | Baseline profile, Main Profile, High Profile |
| Frame Rate | Main Stream: 2MP (1920*1080), Max 60fps; Sub Stream: 2MP (1920*1080), Max 60fps; Third Stream: D1 (720*576), Max 60fps |
| HLC | Supported |
| BLC | Supported |
| EIS | Supported |
| OSD | Up to 8 OSDs |
| Privacy Mask | Up to 24 areas |
| ROI | Up to 8 areas |
| Motion Detection | Up to 4 areas |
| Smart | |
| General Function | Watermark, IP Address Filtering, Tampering Alarm, Alarm input, Alarm output, Access Policy, ARP Protection, RTSP Authentication, User Authentication |
| Audio | |
| Audio Compression | G.711 |
| Two-way audio | Supported |
| Suppression | Supported |
| Sampling Rate | 8KHZ |
| Storage | |
| Edge Storage | Micro SD, up to 256GB |
| Network Storage | ANR |
| Network | |
| Protocols | IPv4, IGMP, ICMP, ARP, TCP, UDP, DHCP, PPPoE, RTP, RTSP, RTCP, DNS, DDNS, NTP, FTP, UPnP, HTTP, HTTPS, SMTP, 802.1x, SNMP, QoS, RTMP |
| Compatible Integration | ONVIF (Profile S, Profile G, Profile T), API |
| Pan & Tilt | |
| Pan Range | 360° (endless) |
| Pan Speed | 0.1°/s ~ 240°/s |
| | Preset speed: 300°/s |
| Tilt Range | -15° ~ 90° (auto reverse) |
| Tilt Speed | 0.1° ~ 160°/s |
| | Preset speed: 240°/s |
| Number of Presets | 1024 |
| Patrol | Up to 16 patrols, up to 32 presets per patrol Note: The total number of patrols and patterns is 16. |
| Home Position | Supported |
| Interface | |
| Audio I/O | Audio cable |
| | Input: impedance 35kΩ; amplitude 2V [p-p] |
| | Output: impedance 600Ω; amplitude 2V [p-p] |
| Alarm I/O | 1/1 |

| | | |
|---------------------|--|--|
| Network | 1RJ45 10M/100M Base-TX Ethernet | |
| General | | |
| Power | AC 24V±25%, DC 24V±25% | AC 24V±25%, DC 24V±25%, PoE (PSE Required) |
| | Power consumption: Max 44W | |
| Dimensions (Ø x H) | Ø227 x 359.4mm (Ø8.9" x 14.2") | |
| Weight | 5.28kg (11.6lb) | |
| Working Environment | -40°C ~ 65°C (-40°F ~ 149°F), Humidity: ≤95% RH (non-condensing) | |
| Ingress Protection | IP66 | |

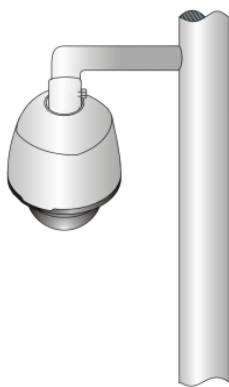
Dimensions



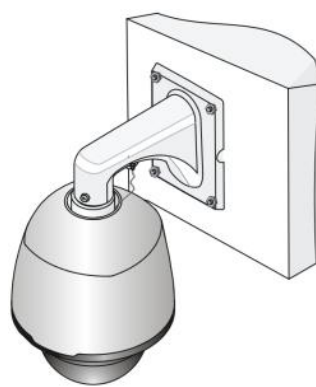
Installation



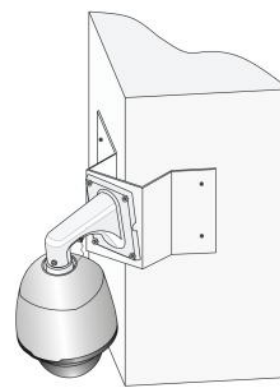
Pendant mount



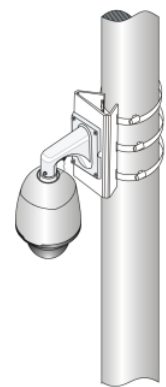
Standing pole mount



Wall mount



Corner mount



Pole mount

Zhejiang Uniview Technologies Co., Ltd.

Building No.10, Wanlun Science Park, Jiangling Road 88, Binjiang District, Hangzhou, Zhejiang, China (310051)

Email: overseasbusiness@uniview.com; globalsupport@uniview.com

<http://www.uniview.com>

©2019 Zhejiang Uniview Technologies Co., Ltd. All rights reserved.

*Product specifications and availability are subject to change without notice.