

AXIS M10 Network Camera Series

Smallest and smartest network cameras from the market leader.



- > Easy and flexible installation
- > PIR sensor and illumination LED
- > Microphone, speaker and I/O ports
- > Wireless capabilities
- > MicroSD/MicroSDHC card slot

AXIS M10 Series offers small and smart cameras, ideal for securing locations such as small businesses, boutiques, restaurants, hotels or residences. These intuitive and dependable cameras offer best-in-class image quality and professional monitoring capabilities.

AXIS M10 Network Cameras with their functional and smart design offer a high quality yet affordable video surveillance solution. Using progressive scan technology, the cameras provide VGA or HDTV (AXIS M1014/M1034-W/M1054) images of moving objects with minimum motion blur.

Multiple H.264 and Motion JPEG streams can be provided simultaneously, individually optimized for different quality needs and bandwidth constraints. AXIS M1011, AXIS M1011-W and AXIS M1031-W additionally support MPEG-4 Part 2 for backward compatibility.

AXIS M10 Series is designed for easy and flexible installation. AXIS M1011-W, AXIS M1031-W, AXIS M1033-W and AXIS M1034-W offer the choice of either a wireless or a wired connection to the network. The latter two models feature Wi-Fi Protected Setup™ protocol, which

simplifies the process of configuring logical security on wireless networks. AXIS M1054 can be powered either over Ethernet or by power supply.

AXIS M1031-W, AXIS M1033-W, AXIS M1034-W and AXIS M1054 feature an integrated PIR sensor for detecting movement even in the dark, and a white LED for illuminating the scene at an event. AXIS M1033-W, AXIS M1034-W and AXIS M1054 additionally supports one input and one output port for connecting external devices.

AXIS M1031-W, AXIS M1033-W, AXIS M1034-W and AXIS M1054 provide two-way audio support with built-in microphone and speaker, allowing remote listening in on an area, as well as communication with individuals directly or using uploaded or recorded audio clips.



Model Specifications – AXIS M10 Network Camera Series

	Adjustable focus	Audio	Wireless	Wi-Fi Protected Setup™ PBC compatible	MicroSD/MicroSDHC card slot	PIR sensor White LED	I/O ports	PoE support
AXIS M1011								
AXIS M1013	✓				✓			
AXIS M1014	✓				✓			
AXIS M1011-W			IEEE 802.11b/g					
AXIS M1031-W		✓	IEEE 802.11b/g			✓		
AXIS M1033-W	✓	✓	IEEE 802.11b/g/n	✓		✓	✓	
AXIS M1034-W	✓	✓	IEEE 802.11b/g/n	✓		✓	✓	
AXIS M1054		✓				✓	✓	✓

Technical Specifications – AXIS M10 Network Camera Series

Camera	
Models	AXIS M1011/M1013/M1014: Wired interface AXIS M1011-W: Wired and wireless interface AXIS M1031-W: Wired and wireless interface, PIR sensor, illumination LED, audio AXIS M1033-W/M1034-W: Wired and wireless interface, PIR sensor, illumination LED, audio, I/O ports AXIS M1054: Power over Ethernet, PIR sensor, illumination LED, audio, I/O ports
Image sensor	AXIS M1011/M1011-W/M1031-W: 1/4" progressive scan RGB CMOS, AXIS M1013/M1014/M1033-W/M1034-W/M1054: 1/4" progressive scan RGB CMOS
Lens	AXIS M1011/M1011-W/M1031-W: 4.4 mm: 47° view*, F2.0, fixed iris, fixed focus AXIS M1013/M1033-W: 2.8 mm: 67° view*, F2.0, fixed iris, adjustable focus AXIS M1014/M1034-W: 2.8 mm: 80° view*, F2.0, fixed iris, adjustable focus AXIS M1054: 2.9 mm: 84° view*, F2.0, fixed iris, fixed focus *horizontal angle of view
Light sensitivity	AXIS M1011/M1011-W/M1031-W: 1-10000 lux, F2.0 AXIS M1013/M1014/M1033-W/M1034-W/M1054: 1.2 - 10000 lux, F2.0 AXIS M1031-W/M1033-W/M1034-W/M1054: 0 lux with illumination LED on
Shutter time	AXIS M1011/M1011-W/M1031-W: 1/5000 s to 1/4 s AXIS M1013/M1014/M1033-W/M1034-W: 1/8000 s to 1/6 s AXIS M1054: 1/24500 s to 1/6 s
Pan/Tilt/Zoom	AXIS M1013/M1014/M1033-W/M1034-W: Digital PTZ AXIS M1054: Digital PTZ, preset positions, guard tour
Video	
Video compression	AXIS M1011/M1011-W/M1031-W: H.264 Baseline (MPEG-4 Part 10/AVC), MPEG-4 Part 2 (ISO/IEC 14496-2), Motion JPEG AXIS M1013/M1014/M1033-W/M1034-W: H.264 Main Profile (MPEG-4 Part 10/AVC), Motion JPEG AXIS M1054: H.264 Baseline (MPEG-4 Part 10/AVC), Motion JPEG
Resolutions	AXIS M1011/M1011-W/M1031-W: 640x480 to 160x120 AXIS M1013/M1033-W: 800x600 to 320x240 AXIS M1014/M1034-W: 1280x800 to 320x240 AXIS M1054: 1280x800 to 160x90
Frame rate	H.264: 30 fps in all resolutions Motion JPEG: 30 fps in all resolutions (performance may be reduced in wireless mode) AXIS M1011/M1011-W/M1031-W, MPEG-4 Part 2: 30 fps in all resolutions
Video streaming	Multiple, individually configurable streams in H.264 and Motion JPEG, as well as MPEG-4 Part 2 with AXIS M1011/ M1011-W/M1031-W Controllable frame rate and bandwidth VBR/CBR H.264, MPEG-4 Part 2
Image settings	AXIS M1011/M1011-W/M1031-W/M1054: Compression, color, brightness, sharpness, contrast, white balance, exposure control, exposure zones, backlight compensation, rotation Text and image overlay, Privacy mask AXIS M1013/M1014/M1033-W/M1034-W: Compression, color, brightness, sharpness, contrast, white balance, backlight compensation, rotation Text and image overlay, Privacy mask AXIS M1013/M1014/M1033-W/M1034-W/M1054: Mirroring, Axis' Corridor Format
Audio (AXIS M1031-W, AXIS M1033-W, AXIS M1034-W & AXIS M1054)	
Audio streaming	Two-way
Audio compression	AAC-LC 8/16 kHz, G.711 PCM 8 kHz, G.726 ADPCM 8 kHz Configurable bit rate
Audio in/out	Built-in microphone (can be disabled) and speaker
Network	
Wireless interface	Internal antenna AXIS M1011-W/M1031-W: IEEE 802.11b/g AXIS M1033-W/M1034-W: IEEE 802.11b/g/n
Security	Password protection, IP address filtering, HTTPS** encryption, IEEE 802.1X network access control, digest authentication, user access log AXIS M1011-W, AXIS M1031-W, AXIS M1033-W, AXIS M1034-W: WEP 64/128 bit, WPA/WPA2-PSK, WPA, WPA2 Enterprise AXIS M1033-W, AXIS M1034-W: WLAN pairing button (Wi-Fi Protected Setup™ PBC compatible)
Supported protocols	IPv4/v6, HTTP, HTTPS**, QoS Layer 3 DiffServ, FTP, CIFS/SMB (not supported in AXIS M1011/M1011-W/M1031-W), SMTP, Bonjour, UPnP™, SNMPv1/v2c/v3(MIB-II), DNS, DynDNS, NTP, RTSP, RTP, TCP, UDP, IGMP, RTCP, ICMP, DHCP, ARP, SOCKS

**This product includes software developed by the OpenSSL Project for use in the OpenSSL Toolkit. (www.openssl.org)

Technical Specifications – AXIS M10 Network Camera Series

System integration

Application Programming Interface	Open API for software integration, including the ONVIF specification available at www.onvif.org , as well as VAPIX® from Axis Communications, specifications available at www.axis.com ; Support for AXIS Video Hosting System (AVHS) with One-Click Camera connection AXIS M1054: Support for AXIS Camera Application Platform from Axis Communications, specifications available at www.axis.com
Intelligent video	Video motion detection, active tampering alarm AXIS M1031-W/M1033-W/M1034-W/M1054: Audio detection AXIS M1054: Support for AXIS Camera Application Platform enabling installation of additional applications
Event triggers	Intelligent video AXIS M1031-W: Built-in PIR sensor AXIS M1033-W/M1034-W/M1054: External input, built-in PIR
Event actions	File upload: FTP, HTTP, network share and email Notification: email, HTTP and TCP Pre- and post-alarm video buffering AXIS M1031-W/M1033-W/M1034-W/M1054: Activation of illumination LED, audio clip playback AXIS M1013/M1014: Video recording to edge storage AXIS M1033-W/M1034-W/M1054: External output activation, video and audio recording to edge storage
Data Streaming	Event data
Built-in installation aids	Pixel counter
General	
Casing	AXIS M1011/M1011-W/M1013/M1014/M1031-W/M1033-W/M1034-W: Polycarbonate AXIS M1054: Aluminium and polycarbonate Color: white NCS S 1002-B
Memory	AXIS M1011/M1011-W/M1031-W: 64 MB RAM, 32 MB Flash AXIS M1013/M1014/M1033-W/M1034-W: 256 MB RAM, 128 MB Flash AXIS M1054: 128 MB RAM, 128 MB Flash
Power	4.9 – 5.1 V DC, max. 2.2 W AXIS M1054: Power over Ethernet IEEE 802.3af Class 2 (max. 6.49 W)
Connectors	DC jack, RJ-45 10BASE-T/100BASE-TX AXIS M1033-W/M1034-W/M1054: 1 alarm input and 1 output

Edge storage	AXIS M1013/M1014: MicroSD/microSDHC/microSDXC slot supporting memory card up to 64 GB (card not included) AXIS M1013/M1014/M1033-W/M1034-W/M1054: Support for recording to network share (Network Attached Storage or file server)
PIR sensor	AXIS M1031-W/M1033-W/M1034-W/M1054: Passive infrared (PIR) motion sensor with configurable sensitivity. Max range: 6 m
Illumination LED	AXIS M1031-W/M1033-W/M1034-W/M1054: White illumination LED: 1 W, Class 1M
Operating conditions	Humidity 20 – 80% RH (non-condensing) AXIS M1011/M1011-W/M1031-W: 0 °C to 50 °C (32 °F to 122 °F) AXIS M1013/M1014/M1033-W/M1034-W/M1054: 0 °C to 40 °C (32 °F to 104 °F)
Approvals	AXIS M1011: EN 55022 Class B, EN 55024, EN 61000-3-2, EN 61000-3-3, EN 61000-6-1, EN 61000-6-2, EN 60950-1, FCC Part 15 Subpart B Class B, VCCI Class B, ICES-003 Class B, C-tick AXIS M1011-W/M1031-W: EN 55022 Class B, EN 55024, EN 61000-3-2, EN 61000-3-3, EN 61000-6-1, EN 61000-6-2, EN 301489-1, EN 301489-17, EN 300328, EN 60950-1, FCC Part 15 Subpart B and C Class B, VCCI Class B, RSS-210, C-tick, TELEC, KCC AXIS M1033-W/M1034-W: EN 301489-1, EN 301489-17, EN 55022 Class B, EN 61000-3-2, EN 61000-3-3, EN 61000-6-1, EN 61000-6-2, EN 61000-6-2, EN 62311:2008, EN 300 328, FCC Part 15 Subpart B and C Class B, VCCI Class B, C-tick AS/NZS CISPR 22, ICES-003 Class B, KCC Class B, IEC/EN 60950-1, SRRC, ANATEL, TELEC, RSS-210, AS/NZS 4771, EN/IEC 62741 (risk group 1) AXIS M1013/M1014/M1054: EN 55022 Class B, EN 61000-3-2, EN 61000-3-3, EN 61000-6-1, EN 61000-6-2, EN 55024, FCC Part 15 Subpart B and C Class B, VCCI Class B, C-tick AS/NZS CISPR 22, ICES-003 Class B, KCC Class B, IEC/EN 60950-1 Power supply: EN 60950-1, cCSAus
Weight	AXIS M1011-W: 94 g (0.21 lb) AXIS M1013/M1014: 110 g (0.24 lb) AXIS M1031-W: 101 g (0.22 lb) AXIS M1033-W/M1034-W: 118 g (0.26 lb) AXIS M1054: 156 g (0.34 lb)
Included accessories	Power supply, stand and clamp, Installation/Quick Guide, Installation and Management Software CD, Windows decoder 1-user license AXIS M1033-W/M1034-W/M1054: Extension for stand: 100 mm (4.0")

Unique pixel counter feature

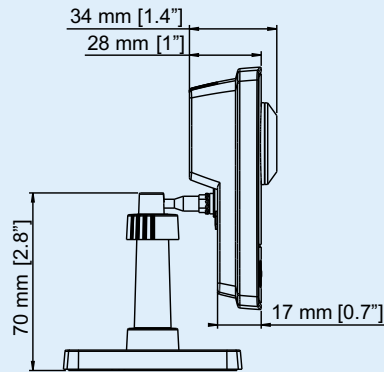
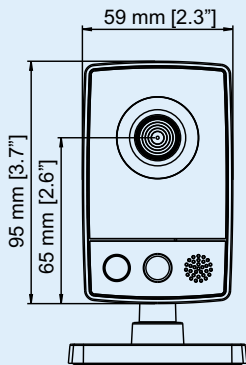


AXIS M10 Series features the unique pixel counter that allows the installer to easily verify that the camera installation fulfills any regulatory or specific customer requirements, for example, calculating the pixel resolution of the face of a person passing a doorway monitored by the camera.

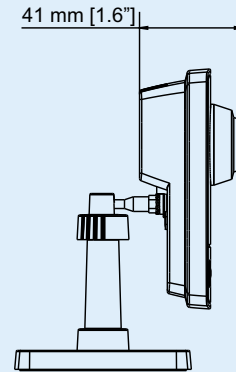


Dimensions – AXIS M10 Network Camera Series

Dimensions



AXIS M1011/M1011-W/M1031-W



AXIS M1013/M1014/M1033-W/M1034-W/M1054

Accessories – AXIS M10 Network Camera Series

Included accessories

(AXIS M1033-W/M1034-W/M1054)

Extension for stand



AXIS Camera Companion (included),
AXIS Camera Station and video management
software from Axis' Application Development
Partners (not included). For more information,
see www.axis.com/products/video/software

Optional accessories

(*all AXIS M10 Network Cameras except AXIS M1054)

AXIS PoE Active Splitter 5V AF*



AXIS T8414 Installation Display



AXIS P8221 Network I/O Audio Module

