

Advanced Intelligent Manual Call Point

MCP5A

Overview

- Advanced intelligent functionality
- Fully digital addressing technology
- Includes Advanced ADEVA protocol
- Unique 'Plug & Play' installation concept
- Total 'Flex-Ability' in the choice of operating element
- Anti-Tamper facility
- Enhanced aesthetics and compact design
- Wide operating voltage 15 to 32VDC
- Rotary decade address switches
- Backward compatibility
- Fully approved to the latest standards
- Tested and approved to EN54-11:2001+A1:2005



0832 - CPD - 0650 G206117 166b/45

Description

The revolutionary Advanced Intelligent ADEVA range delivers a totally new fire alarm platform that incorporates the new digital Advanced Intelligent ADEVA protocol. The new protocol delivers more devices on the loop and gives greater control, configurability and device management whilst enabling the overall system to be optimised to the location and use of the building with far greater flexibility than ever before.

Installation efficiency, flexibility and full compliance with the latest standards are at the heart of the new MCP Indoor Call Point range.

Installation time and ultimately cost, are of paramount importance to any fire or security installer. The MCP range directly reflects this need by providing a unique 'plug and play' concept designed specifically to reduce installation time. All new MCP products utilise a special terminal block, where all initial installation cabling is terminated. This terminal block is then simply connected to the back of the MCP. Simple, but effective with no re-termination required and no time wasted.

Through new standards and legislation, both break glass and resettable operating elements can now be used within a manual call point. To provide you with the greatest 'flex-ability', the new MCP range can be configured as either a break glass or resettable unit by simply changing from one element to another. No other additional parts or alternative products need to be ordered.

All MCP Indoor Call Point products also help preserve the integrity of the overall system as illegal removal of the product lid will result in the call point operating and the system going in to alarm.

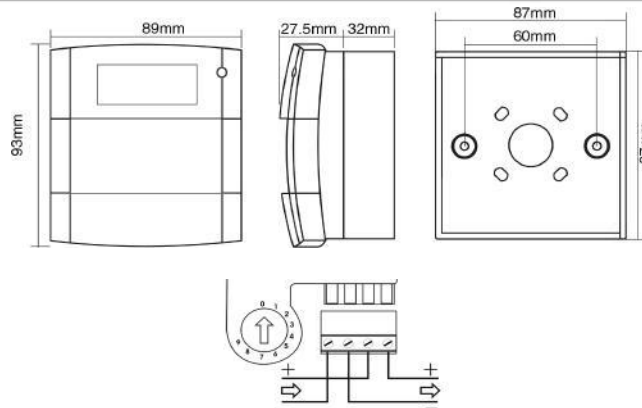
Full compliance with the latest standards is essential and the new MCP indoor call point range is fully approved to the latest EN54-11 standard (compliant markings only).

The MCP5A product has the Advanced Protocol embedded. A version of this call point with built in isolation is also available.

All ADEVA manual call points are environmentally friendly and meet the WEEE and RoHS legislative requirements, minimising end of life disposal costs, and are mechanically and electrically backwards compatible.

Advanced Intelligent Manuel Call Point MCP5A

Architect/Engineer Specifications



Electrical Specifications

| | |
|-------------------|--|
| Maximum Voltage | : 30 VDC |
| Cable Termination | : 0.5 - 2.5 mm ² |
| Standby Current | : 400µA (non - isolation) : 500µA (isolation) |
| Operating Current | : 7.6mA (non - isolation) : 7.6mA (isolation) |

Environmental Specification

| | |
|--------------------------------|---------------------------|
| Humidity | : 3 to 93% non condensing |
| Operating Temperature | : -10°C to +55°C |
| Storage Temperature | : -10°C to +55°C |
| Ingress Protection (IP) Rating | : IP24 |

Mechanical Specification

| | |
|----------|--------------------------------|
| Material | : PC/ABS |
| Weight | : 130g Flush : 180g Surface |
| Colour | : Red, Ral 3001 |

Product Range

| Model | Isolation | Mounting | Operating Element | Markings |
|----------------------|-----------|----------|-------------------|----------|
| MCP5A-RP01FG-K013-01 | No | Flush | Glass | EN54-11 |
| MCP5A-RP01FF-K013-01 | No | Flush | Flexi | EN54-11 |
| MCP5A-RP02FG-K013-01 | Yes | Flush | Glass | EN54-11 |
| MCP5A-RP02FF-K013-01 | Yes | Flush | Flexi | EN54-11 |
| MCP5A-RP01SG-K013-01 | No | Surface | Glass | EN54-11 |
| MCP5A-RP01SF-K013-01 | No | Surface | Flexi | EN54-11 |
| MCP5A-RP02SG-K013-01 | Yes | Surface | Glass | EN54-11 |
| MCP5A-RP02SF-K013-01 | Yes | Surface | Flexi | EN54-11 |

Accessories

| | |
|---------|--|
| SC070 | Pack of ten test keys |
| KG1 x 5 | Pack of five glass elements (Also available in packs of 10, 25 & 50) |
| PS210 | Flexible operating element |
| PS200 | Plain Hinged Cover |
| SC071 | Pack of twenty terminal blocks |

ADEVA FIRE ALARM SYSTEM

ADEVA PLAZA
Semah St. No:43
Serifali / Umraniye / Istanbul
TURKEY

Tel: +90 (0)216 5982800
Fax: +90(0)216 5982899
Email: info@adevafire.com

www.adevafire.com