

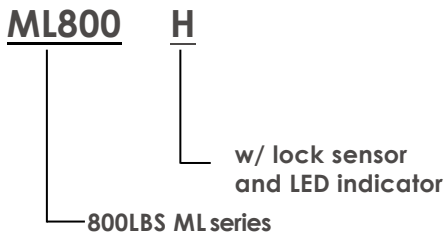
MAGNETIC LOCKS - Surface Mounted ML800 SERIES

MAGNETIC
LOCKS



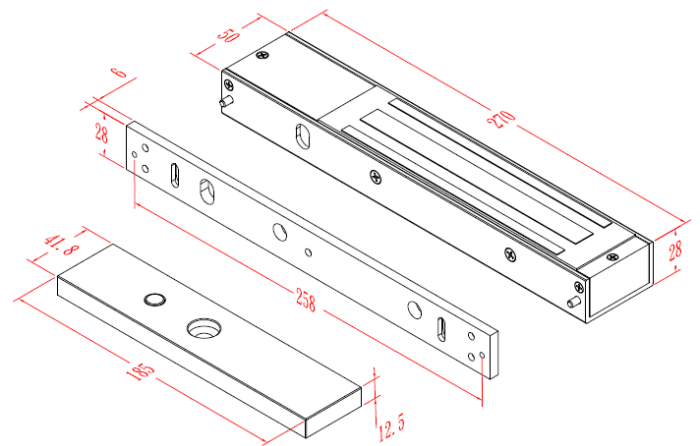
- Magnet (ML800) : 270L*56W*28D mm
- Armature Plate : 185L*41.8W*12.5T mm

▼ ORDERING INFORMATION



EXAMPLE :

- ML800 : Maglock 800P, unmonitored
- ML800H : Maglock 800P, W/Lock status sensor and LED indicator



▼ SPECIFICATION

- Voltage : 12V/24VDC (Selectable)
- Current Draw : 500mA/12V , 250mA/24V
- Holding Force : about 800LBS
- Built-in voltage spike suppressor ,
- With Bi-color LED
- Adjustable mounting plate for easy and appropriate installation
- Special Finish : Zinc (on the magnet & armature plate)
- Anodized Aluminum housing

▼ BRACKET INSTALLATION



B800L - Adjustable L Bracket

B800LZ - L&Z Bracket



U-185A Bracket

B1004 /B1005

