

FLIR IP™

Fixed IP Dome Cameras



N133EB/P
1MP Fixed IR Dome IP Camera



N133ED/P
2.1MP Fixed IR Dome IP Camera



N133ED-2
2.1MP Fixed IR Dome IP Camera 2 Pack



N233EE/P
3MP Fixed IR Dome IP Camera



Available in 1MP / 2.1MP / 3MP configurations, the FLIR Fixed IR Dome IP Cameras offer HD picture quality in real time with outstanding night vision capabilities. Installation is made easy with PoE operation included. Built rugged, FLIR's Fixed IR Dome IP Cameras are suitable for both indoor and outdoor installations (IP66 rated) and cold climates (-22°F/-30°C).

HD PICTURE QUALITY

Outstanding image detail, both day and night

- N133EB - 1MP HD, 720p @ 30/25fps, 1/4" CMOS, 3.6mm lens, 70ft/21m IR
- N133ED - 2.1MP HD, 1080p @ 30/25fps, 1/3" CMOS, 3.6mm lens, 65ft/20m IR
- N233EE - 3MP HD, 3MP @ 20fps, 1/3" CMOS, 3.6mm lens, 80ft/24m IR

EASY INSTALLATION

PoE (Class 3) support for simplified cabling

- 12V / PoE (802.3af) operation
- Onvif Profile S conformance
- 3 Axis design for wall/ceiling mounting

RUGGED DESIGN

Durable weatherproof housing

- IP66 weatherproof rated
- Cold climate capable (-22°F/-30°C)
- True Day/Night with ICR, 2D-DNR, D-WDR

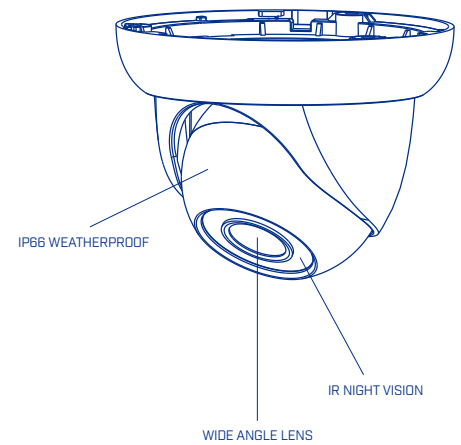
FLIR CLOUD REMOTE VIEWING

Remote access via iOS, Android, PC/Mac with FLIR Cloud

- Centralized viewing and control of up to 64 cameras on each screen with PC/Mac
- Access live or recorded video at any time on your iPad, iPhone or Android device
- Advanced mobile app features including remote playback, push notifications for motion/alarm, E-map, manual record/snapshot to device

Specifications

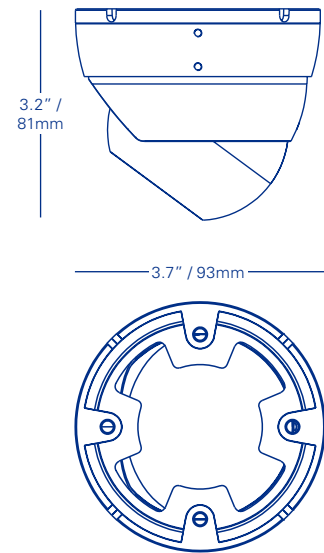
Camera	N133EB/P	N133ED/P	N233EE/P
Imaging Device	1 MP, 1/4"	2.1 MP, 1/3"	3 MP, 1/3"
Effective Pixels	1280 (H) x 720 (V)	2048 (H) x 1536 (V)	2048 (H) x 1536 (V)
Image Type	CMOS		
Image Readout	Progressive Scan		
Day / Night	Auto(ICR)/Color/B/W		
Mechanical IR Cut Filter	Yes		
Min. Illumination	0.1lux (Color)	0.1lux (Color)	0.01lux (Color)
	0.01lux (B/W)	0lux (B/W)	0.005lux (B/W)
S/N Ratio	>50dB		
Field of View (H)	64°	72°	72°
IR Illumination	Yes, 850nm		
IR On / Off Control	Yes	No	Yes
Video Output	RJ45		
Electronic Shutter Range	1/4~1/10000s		
Optical			
Lens Type	Fixed		
Mount Type	Board type		
Focal Length	3.6mm		
Aperture	F1.8	F1.6	F1.8
Video			
Video Compression	MJPEG / H.264		
Video Streams	H.264 & MJPEG Dual Stream		
Resolution Selection	720P (1280x720) / D1 (704x576/704x480) / CIF (352x288/352x240)	1080P (1920 x 1080) / 720P (1280 x 720) / D1 (704x576/704x480) / CIF (352x288/352x240)	3MP (2048x1536) / 1080P (1920x1080) / 720P(1280x720) / D1 (704x480) / CIF(352x240)
Aspect Ratio	16 : 9		
Frame rates (Maximum)	720p / D1 / CIF @ 25/30 fps	1080p / 720p / D1 / CIF @ 25/30 fps	3 MP @ 20fps 1080p / 720p / D1 / CIF @ 25/30 fps
Bit Rate Control	CBR / VBR		
Bit Rate Selection	Compression Type: 56K~ 8129Kbps	Compression Type: 16K~ 8192Kbps	Compression Type: 32K~ 8192Kbps
Wide Dynamic Range	Digital WDR		
Backlight Compensation	BLC / HLC / DWDR		
White Balance	Auto / Manual		
Gain Control	Auto / Manual		
Noise Reduction	2D	2D	3D
Video Mirroring	Horizontal Mirror		
Video Overlay	Time / Date / Camera / Custom		
Window Blanking (Privacy)	Up to 4 Areas		
Menu Languages	English		
Network			
Protocols	IPv4 / IPv6, HTTP, HTTPS, SSL, TCP / IP, UDP, UPnP, ICMP, IGMP, SNMP, RTSP, RTP, SMTP, NTP, DHCP, DNS, PPPoE, DDNS, FTP, IP Filter, QoS, Bonjour		
ONVIF Conformance	Profile S		
Users	Up to 20 users		



Specifications

Mechanical	N133EB/P	N133ED/P	N233EE/P
Product Dimensions (Diag x H)		up to $\Phi 3.7'' \times 3.2''$ $\Phi 93\text{mm} \times 79\text{mm}$	
Product Weight		0.8lbs / 0.4kg	
Electrical			
Network Port		10 / 100 Base-T	
Power Input		12V DC, PoE	
Power Consumption (Maximum)		3W	
Current Consumption (Maximum)		250mA	
Environmental			
Operating Temperature		-22°F ~ 140°F / -30°C ~ 60°C	
Operating Humidity		Less than 95% RH	
Ingress Protection		IP66	

Dimensions



Ordering Information

N133EB: 8-41430-01049-4
 N133ED: 8-41430-01037-1
 N133ED-2: 8-41430-01051-7
 N233EE: 8-41430-01039-5

N133EBP: 8-41430-01091-3
 N133EDP: 8-41430-01092-0
 N233EEP: 8-41430-01093-7

Package Dimensions

N133EB: 5.5 x 5.4 x 4.5" /
 136 x 137 x 113mm
 N133ED: 5.5 x 5.4 x 4.5" /
 136 x 137 x 113mm
 N133ED-2: 11 x 10.1 x 4.7" /
 279 x 257 x 118mm
 N233ED: 5.5 x 5.4 x 4.5" /
 136 x 137 x 113mm

MARKHAM, ONTARIO

FLIR Systems, Inc.
 250 Royal Crest Court
 Markham, ON L3R 3S1
 Canada
 PH: +1 866.344.4674

PORTLAND

Corporate Headquarters
 FLIR Systems, Inc.
 27700 SW Parkway Ave.
 Wilsonville, OR 97070
 USA
 PH: +1 866.477.3687

www.flir.com/security
 NASDAQ: FLIR

Equipment described herein may require US Government authorization for export purposes. Diversion contrary to US law is prohibited. Imagery for illustration purposes only. Specifications are subject to change without notice. ©2015 FLIR Systems, Inc. All rights reserved. [Created 11/19/15]