



NBC-265-P HD 720p IP camera



- ▶ **Complete network video surveillance system inside a compact camera**
- ▶ **HD 720p progressive scan for sharp images of moving objects**
- ▶ **Tri-streaming: Dual H.264 and M-JPEG simultaneously**
- ▶ **Removable SD/SDHC card offers days of storage inside camera**
- ▶ **PC surveillance software supports multiple camera monitoring**
- ▶ **Two-way audio and audio alarm**
- ▶ **Power over Ethernet (IEEE 802.3af compliant)**
- ▶ **ONVIF conformant**

The Bosch NBC-265-P 720p IP camera is a ready-to-use, complete network video surveillance system inside a compact camera. This camera brings Bosch's high-performance technology into the realm of small office and retail businesses by offering a cost-effective solution for a broad range of applications.

To use the camera as a stand-alone video surveillance system, simply take it out of the box and assemble it according to the quick installation guide; it operates straight away, no additional equipment is required.

For medium-to-large-scale or growing systems, the camera easily integrates with the Bosch Divar 700 Series recorder. It uses H.264 compression technology to give clear images while reducing bandwidth and storage by up to 30%.

Functions

Best-in-class HD 720p image performance

The camera delivers the clearest HD 720p images and most accurate colors within its class. Progressive scan ensures moving objects are always sharp.

Tri-streaming video

Tri-streaming allows a data stream to be encoded simultaneously according to different, customized settings. Two types of streams can serve different purposes. For example, use H.264 stream for local recording and viewing, and the M-JPEG stream to provide compatibility with legacy DVRs.

Efficient recording

A removable SD/SDHC card offers edge recording inside the camera. This SD card not only saves network bandwidth but also reduces the requirement for a high-capacity hard disk or DVR. When used with an SD card, the camera is a complete, self-contained surveillance system without the need for additional equipment.

The camera can also be used with an iSCSI server connected via the network to store long-term recordings.

16-channel PC surveillance software

The bundled PC surveillance software offers a user-friendly interface to support easy installation and configuration. A wizard allows the configuration of multiple cameras simultaneously using an auto detection device. Multiple cameras can be monitored in one screen and video clips on the SD card can be archived, searched and exported in a single application.

ONVIF 1.0 conformant

The latest Open Network Video Interface Forum (ONVIF) standard ensures compatibility with other surveillance products. This will contribute to a reduction in future upgrade or migration costs.

Two-way audio and audio alarm

Two-way audio allows remote users to listen in on an area and communicate messages to visitors or intruders via an external loudspeaker (not included). Audio detection can be used to generate an alarm, if needed.

Tamper and motion detection

A wide range of configuration options is available for alarms signaling camera tampering. A built-in algorithm for detecting movement in the video can also be used for alarm signaling.

Power-over-Ethernet

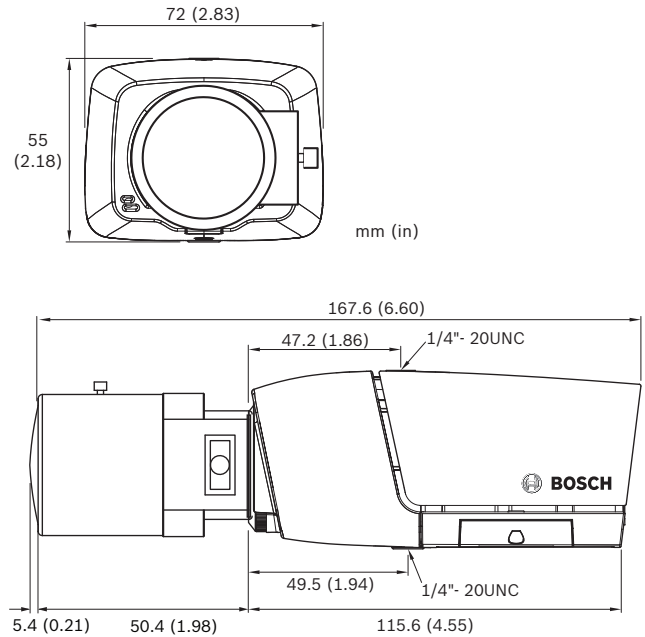
Power for the camera can be supplied via a Power-over-Ethernet (IEEE 802.3af) compliant network cable connection. With this configuration, only a single cable connection is required to view, power, and control the camera.

Certifications and Approvals

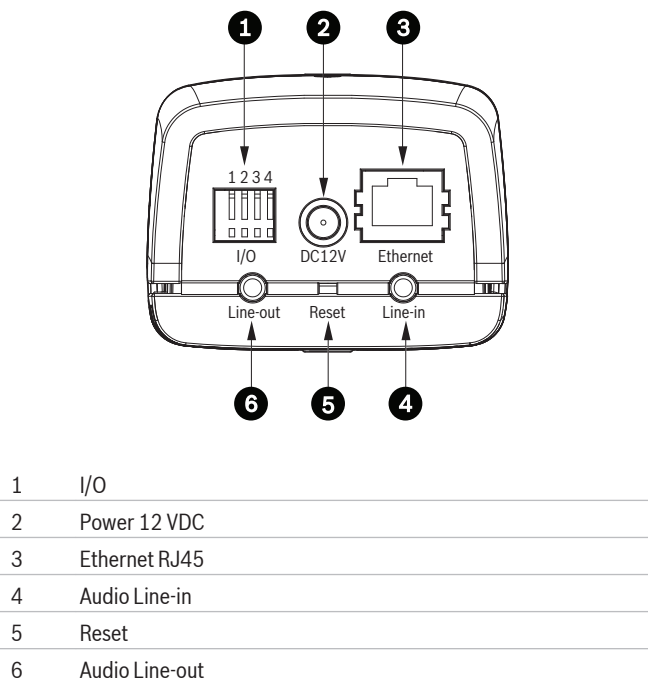
Safety	EU: EN 60950-1: 2006, Reference IEC 60950-1:2005
	US: UL 60950-1: 1st edition dated October 31, 2007
	Canada: CAN/CSA-C22.2 NO. 60950-1-03
EMC	EN 50130-4:1995 + A1:1998 + A2:2003
	FCC Part15 Subpart B, Class B
	EMC directive 2004/108/EC
	EN 55022 class B
	EN 61000-3-2 :2006
	EN 61000-3-3 : 1995+A1 :2001+A2 :2005
Product Certifications	EN 55024
	AS/NZS CISPR 22 (equal to CISPR 22)
	ICES-003 Class B
	EN 50121-4:2006
Power supply	CE, UL, cUL, PSE, CCC

Installation/Configuration Notes

Dimensions



Connections



Parts Included

Quantity	Component
1	NBC-265-P 720p IP camera with varifocal lens
1	Quick Installation Guide
1	CD ROM
1	Camera mount kit
1	SD card (warranty provided by card manufacturer)
1	Universal power supply with US, EU and UK plug

Technical Specifications

Power

Input voltage	+12 VDC or Power-over-Ethernet
Power consumption	3.6 W (max)

Video

Sensor type	¼-inch CMOS
Sensor pixels	1280 x 800
Sensitivity	1.0 lx at F1.2
Video resolution	720p, 4CIF/D1, VGA, CIF, QVGA
Video compression	H.264 MP (Main Profile); H.264 BP+ (Baseline Profile Plus); M-JPEG
Max. frame rate	30 fps (M-JPEG frame rate can vary depending on system loading)

Lens

Lens type	Varifocal 2.8 to 8 mm, manual iris, F1.2 to close
Lens mount	CS mount

Connection

Alarm input	+9 to 30 VDC
Relay out	24 VAC/VDC, 1 A

Audio

Audio input	Built-in microphone Line in jack connector
Audio output	Line out jack connector
Audio communication	Two-way, full duplex
Audio compression	G.711, L16 (live and recording)

Local Storage

Memory card slot	Supports up to 32 GB SD/SDHC card (An SD card of Class 4 or higher is recommended for HD recording)
Recording	Continuous recording, ring recording, alarm/events/schedule recording

Software Control

Unit configuration	Via web browser or PC surveillance software
--------------------	---

Network

Protocols	HTTP, HTTPS, SSL, TCP, UDP, ICMP, RTSP, RTP, Telnet, IGMPv2/v3, SMTP, SNMP, FTP, DHCP client, ARP, DNS, DDNS, NTP, SNMP, UPnP, 802.1X, iSCSI
Ethernet	10/100 Base-T, auto-sensing, half/full duplex, RJ45
PoE	IEEE 802.3af compliant

Mechanical

Dimensions with lens (H x W x D)	55 x 72 x 168 mm (2.17 x 2.83 x 6.60 in.)
Weight (with lens)	255 g (0.56 lb) approx.
Mounting	¼-inch mounting socket on top and bottom

Environmental

Operating temperature Camera	0 °C to +50 °C (+32 °F to +122 °F)
Operating temperature Universal Power Supply Unit	0 °C to +40 °C (+32 °F to +104 °F)
Storage temperature	-20 °C to +70 °C (-4 °F to +158 °F)
Humidity	10% to 80% relative humidity (non condensing)

Ordering Information

NBC-265-P 720p IP Camera HD 720p IP Camera System including varifocal lens, mount and power supply	NBC-265-P
--	------------------

Accessories

LTC 9348/00 Series Indoor Dome Housings for cameras/lens to 216 mm (8.5 in), ceiling mount, tinted, metal backbox	LTC9348/00
UHI-SBG-0 Series Indoor Housing For camera/lens lengths up to 210 mm (8.2 in.)	UHI-SBG-0
UHI-ASBG-0 Series Indoor Housing For camera/lens lengths up to 210 mm (8.2 in.) for APR only	UHI-ASBG-0

Americas:
Bosch Security Systems, Inc.
130 Perinton Parkway
Fairport, New York, 14450, USA
Phone: +1 800 289 0096
Fax: +1 585 223 9180
security.sales@us.bosch.com
www.boschsecurity.us

Europe, Middle East, Africa:
Bosch Security Systems B.V.
P.O. Box 80002
5600 JB Eindhoven, The Netherlands
Phone: +31 40 2577 284
Fax: +31 40 2577 330
emea.securitysystems@bosch.com
www.boschsecurity.com

Asia-Pacific:
Robert Bosch (SEA) Pte Ltd, Security Systems
11 Bishan Street 21
Singapore 573943
Phone: +65 6258 5511
Fax: +65 6571 2698
apr.securitysystems@bosch.com
www.boschsecurity.com

Represented by