

# VB-R13

High end indoor PTZ camera with camera with powerful zoom capabilities and superb low light performance.

Versatile PTZ camera featuring a bright 30x zoom lens, 1/3" Full HD CMOS sensor and multiple built-in analytic functions.

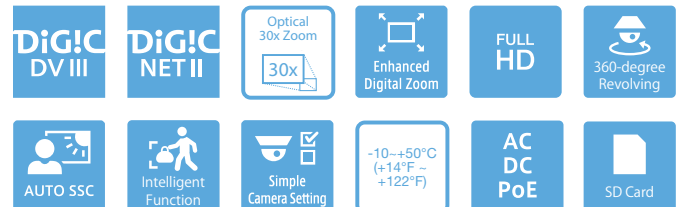


- 30x optical zoom with fast, accurate auto focus and superb low-light performance
- Accurate subject tracking with continuous panning and Auto-Flip
- Enhanced Digital Zoom extends the camera's zoom capabilities while maximising image quality
- Motion Adaptive Noise Reduction and Area-Specific Data Size Reduction (ADSR) maintains video quality while reducing bandwidth usage
- Built-in analytics functions for intelligent and efficient alarm detection
- Configuration and live streaming support across multiple web browsers and mobile devices
- ONVIF® Profile S and Profile G compliant

## Product Range

### VB-R13

VB-R11  
VB-H43/B  
VB-M50B  
VB-M42/B



# Technical Specifications

# VB-R13

CAMERA	
<b>Image Sensor</b>	1/3 type CMOS (primary color filter)
<b>Number of Effective Pixels</b>	Approx. 2.1 million pixels
<b>Scanning Method</b>	Progressive
<b>Lens</b>	30x optical zoom (20x digital zoom) lens with auto focus
<b>Focal Length</b>	4.4 (W) - 132 mm (T)
<b>F-number</b>	F1.4 (W) - F4.6 (T)
<b>Viewing Angle</b>	<p><b>For 16:9 aspect ratios:</b> Horizontal: 62.6° (W) - 2.2° (T) Vertical: 36.9° (W) - 1.3° (T)</p> <p><b>For 4:3 aspect ratios:</b> Horizontal: 48.5° (W) - 1.7° (T) Vertical: 36.9° (W) - 1.3° (T)</p>
<b>Day/Night Switch</b>	Auto / Day Mode / Night Mode
<b>Min. Subject Illumination</b>	<p>Day Mode (colour): 0.05 lux (F1.4, shutter speed 1/30 sec., SSC off, 50IRE)</p> <p>Night Mode (monochrome): 0.002 lux (F1.4, shutter speed 1/30 sec., SSC off, 50IRE)</p> <p>Smoked Dome fitted (sold separately) Day Mode (colour): 0.1 lux (F1.4, shutter speed 1/30 sec., SSC off, 50IRE)</p> <p>Night Mode (monochrome): 0.004 lux (F1.4, shutter speed 1/30 sec., SSC off, 50IRE)</p>
<b>Focus</b>	Auto / One-shot AF / Manual / Fixed at infinity
<b>Shooting Distance (from front of lens)</b>	<p>Day Mode: 0.3 m (12 in.) - infinity (W), 2.0 m (6.6 ft.) - infinity (T)</p> <p>Night Mode: 1.0 m (3.3 ft.) - infinity (W), 2.0 m (6.6 ft.) - infinity (T)</p>
<b>Shutter Speed</b>	1, 1/2, 1/4, 1/8, 1/15, 1/30, 1/50, 1/60, 1/100, 1/120, 1/250, 1/500, 1/1000, 1/2000, 1/4000, 1/8000, 1/10000, 1/16000 sec.
<b>Exposure</b>	Auto / Auto (Flickerless) / Auto (Shutter-priority AE) / Auto (Aperture-priority AE) / Manual (Shutter Speed, Aperture, Gain)
<b>White Balance</b>	Auto / Light Source / Manual Light Source: Daylight Fluorescent / White Fluorescent Warm Fluorescent / Mercury Lamp / Sodium Lamp / Halogen Lamp Manual: One-shot WB / R Gain / B Gain
<b>Metering Mode</b>	Center-Weighted/Average/Spot
<b>Exposure Compensation</b>	9 levels
<b>Smart Shade Control</b>	Auto / Manual / Disable, Auto: 3 levels, Manual: 7 levels - Brightens shaded areas of a video
<b>Haze Compensation</b>	Auto / Manual / Disable, Auto: 3 levels, Manual: 7 levels
<b>AGC Limit</b>	6 levels
<b>Image Stabilizer</b>	2 levels (digital)
<b>Motion-Adaptive NR (Noise Reduction)</b>	Available
<b>Pan Angle Range</b>	360°continuous panning
<b>Tilt Angle Range</b>	<p>180° (ceiling-mounted position: 0° - 180°) - When the horizontal direction of the camera is 0°</p> <p>NB: - When the tilt angle is between angles below, the dome cover can cause a line to appear in the video, as well as a decline in the video quality 0° - 12° (165° - 180°) (W) 0° - 5° (175° - 180°) (T)</p>
<b>Moving Speed</b>	<p>Pan: Max. 450°/sec. Tilt: Max. 450°/sec.</p>
SERVER	
<b>Video Compression Method</b>	JPEG, H.264
<b>Video Size</b>	JPEG, H.264: 1920 x 1080, 960 x 540, 480 x 270 1280 x 720, 640 x 360, 320 x 180 1280 x 960, 640 x 480, 320 x 240
<b>Video Quality</b>	JPEG, H.264: 10 levels
<b>Frame Rate</b>	<p>JPEG: 0.1 - 30 fps H.264: 1/2/3/5/6/10/15/30 fps</p> <p>- Values represent streaming performance from the camera. - The frame rate may be reduced due to Viewer computer's specs, the number of clients accessing at the same time, network loads, video quality setting, type or movement of the subject or other reasons.</p> <p>Maximum frame rate when used in the following combinations: When streaming H.264(1) (1920 x 1080) and H.264(2) (all sizes) simultaneously: 15 fps When streaming H.264(1) (all sizes) and H.264(2) (1920 x 1080) simultaneously: 15 fps When streaming H.264(1) (1280 x 960) and H.264(2) (1280 x 960) simultaneously: 15 fps When streaming H.264(1) (1280 x 720) and H.264(2) (1280 x 720) simultaneously: 15 fps</p>
<b>I-Frame Interval</b>	0.5/1/1.5/2/3/4/5 sec.
<b>Simultaneous Client Access</b>	Max. 30 Clients + 1 Admin Client - H.264: Max. 10 Clients
<b>Bit Rate Control</b>	Target Bit Rate: 64/128/256/384/512/768/1024/1536/2048/3072/4096/6144/8192/10240/12288/14336/16384 kbps
<b>ADSR: Area-specific Data Size Reduction</b>	Number of Specified Areas: Max. 8 areas Data Size Reduction Level: 3 levels

<b>Security</b>	Camera Control: Administrator, Authorized user, Guest user (level of control varies depending on user) Access Control: User authority (user name and password), Host Access Restrictions (IPv4, IPv6) IEEE802.1X: EAP-MD5, EAP-TLS, EAP-TTLS, EAP-PEAP Encrypted Communications: SSL/TLS, IPsec
<b>Protocol</b>	IPv4, IPv6, TCP/IP, UDP, HTTP, FTP, SNMPv1/v2c/v3 (MIB2), DHCP, DNS, AutoIP, mDNS, ARP, ICMP, POP3, NTP, SMTP, RTP/RTCP, RTSP, SSL/TLS, IPsec, ONVIF, WV-HTTP (Canon proprietary)
<b>Audio Compression Method</b>	G.711 $\mu$ -law (64 kbps)
<b>Audio Communication Method</b>	Full-duplex (two-way) - Echo cancellation function compliant RTP, Sound Transfer Protocol by Canon
<b>Audio File Playback</b>	Available (audio files can be played back when an event is triggered by the intelligent function or external device input) - A third-party amplifier speaker is necessary
<b>Privacy Mask</b>	Number of registration: Max. 8 places, Number of mask colors: 1 (select from 9 colors)
<b>Panorama</b>	Available
<b>View Restriction</b>	Available
<b>Preset</b>	Number of registers: Max. 256 positions (+Home Position) Number of Preset Tour Route: Max. 5
<b>Intelligent Function (Video)</b>	Moving Object Detection, Abandoned Object Detection, Removed Object Detection, Camera Tampering Detection, Passing Detection, Intrusion Detection, and Auto Tracking Detection Settings: Max. 15 Non-detection Area Settings: Available
<b>Intelligent Function (Audio)</b>	Volume Detection, Scream Detection
<b>Event Trigger Type</b>	External Device Input, Intelligent Function (Video), Intelligent Function (Audio), Timer, Day/Night Switch Number of Linked Events: 2 Linked Event Conditions: OR, AND (whether or not there is a sequence to events)
<b>Image Upload</b>	FTP/HTTP/SMTP (e-mail)
<b>Event Notification</b>	HTTP/SMTP (e-mail)
<b>On-Screen Display</b>	Available German/English/Spanish/French/Italian/Polish/Russian/Turkish/Korean/Chinese (Simplified)/Japanese
<b>Log Notification</b>	SMTP (e-mail)
<b>Enhanced Digital Zoom</b>	Available
<b>Maximum Digital Zoom Magnification Selection</b>	5x/10x/15x/20x Available English/Chinese (Simplified)/Japanese
<b>Daylight Saving Time</b>	Available
INTERFACE	
<b>Network Terminal</b>	LAN x1 (RJ45, 100Base-TX (auto/full-duplex/half-duplex))
<b>Audio Input Terminal (common for LINE IN &amp; MIC IN)</b>	$\Phi$ 3.5 mm ( $\Phi$ 0.14 in.) mini-jack connector (monaural) LINE IN (connect to an amplifier microphone) or MIC IN (connect to a microphone w/o amplifier) - Switch LINE IN/MIC IN in the setting page.
<b>Audio Output Terminal (LINE OUT)</b>	$\Phi$ 3.5 mm ( $\Phi$ 0.14 in.) mini-jack connector (monaural) LINE OUT (connect to an amplifier speaker)
<b>External Device I/O Terminal</b>	Input x 2, Output x 2
<b>Memory Card</b>	SD Memory Card, SDHC Memory Card, SDXC Memory Card Compatible. Recorded Content: Log, Video (Event, Manual, ONVIF, Timer, Upload) Frame Rate: Max. 1 fps (JPEG) Max. 30 fps (H.264)
	- To insure reliability in the recording speed, it is recommended to use CLASS 10 rated products. Even when using CLASS 10 products, reliability cannot be guaranteed during heavy access loads (e.g., when recording and deleting data at the same time).
OTHER	
<b>Operating Environment</b>	<p>Temperature AC, DC, PoE: -10°C - +50°C (+14°F - +122°F)</p> <p>Humidity 5% - 85% (without condensation)</p>
<b>Installation Method</b>	Ceiling mount - Canon will not guarantee proper operation if the cameras are installed on surfaces where the angle is more than $\pm$ 5° from horizontal or on walls, because this will put a heavy load onto sliding mechanical parts and may affect durability.
<b>Power Supply</b>	PoE: PoE power supply via LAN connector (IEEE802.3at Type1 compliant) AC Adapter: PA-V18 (100 - 240 V AC) (sold separately) External power source: 24 V AC/12 V DC
<b>Power Consumption</b>	<p>PoE: Max. approx. 10.7 W*1 AC Adapter PA-V18: Max. approx. 11.3 W (100 V AC) Max. approx. 11.1 W (240 V AC) DC: Max. approx. 9.7 W AC: Max. approx. 10.2 W</p> <p>*1 Class 0 power sourcing equipment (requests 15.4 W)</p>
<b>Dimensions</b>	( $\Phi$ x H) $\Phi$ 199 x 199 mm ( $\Phi$ 7.83 x 7.83 in.) - Camera only (excluding Ceiling Plate)
<b>Weight</b>	Approx. 1990 g (4.39 lb.)

# Technical Specifications

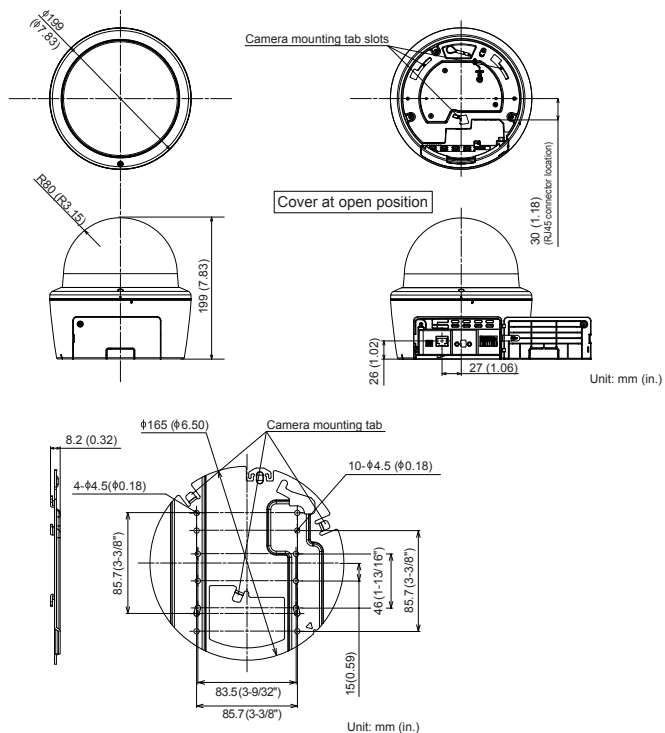
# VB-R13

<b>International Standard</b>	EN55032 Class B, FCC part15 subpart B Class B, ICES-003 Class B, VCCI Class B, RCM AS/NZS EN55032 Class B, CNS13438 Class B, KN32 Class B, EN55024, KN35, EN50581 IEC/UL/EN 60950-1, EN50130-4
<b>APPLICATION</b>	
<b>Viewer</b>	Camera Viewer Mobile Camera Viewer
<b>Camera software</b>	Camera Management Tool Recorded Video Utility
<b>Language</b>	German/English/Spanish/French/Italian/Polish/Russian/Turkish/Thai/Korean/Chinese (Simplified)/Japanese
<b>Operating System/ Compatible Browser</b>	Windows 7, Internet Explorer 11/Chrome 65 Windows 8.1, Internet Explorer 11/Chrome 65 Windows 10, Internet Explorer 11/Microsoft Edge/Chrome 65 Windows Server 2008, Internet Explorer 9 Windows Server 2008 R2, Internet Explorer 11/Chrome 65 Windows Server 2012, Internet Explorer 10/Chrome 65 Windows Server 2012 R2, Internet Explorer 11/Chrome 65 Windows Server 2016, Internet Explorer 11/Chrome 65
<b>Verified Mobile Devices</b>	Surface, iPad, iPhone, Nexus, Galaxy

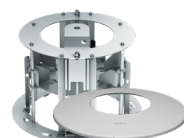
## What's in the box?

- VB-R13 Main Unit
- Before Using this Camera
- EAC-Supported Guide
- Ceiling Plate
- Wrench
- Template
- Power Connector
- Installation Guide
- Warranty Card

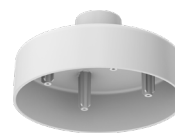
## Dimensions



## Compatible Accessories



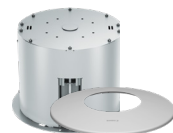
**SR640-S-VB**  
Recessed Mounting Kit



**PC640-VB**  
Pendant Mounting Kit



**PA-V18**  
AC Power Supply  
\*Available in Euro 2-Pin & UK 3-Pin plug



**SR640-P-VB**  
Plenum Recessed Mounting Kit  
(Fire resistant)



**DU640-S-VB**  
Smoked Dome Unit

High end indoor PTZ camera with camera with powerful zoom capabilities and superb low light performance.

# VB-R13



Versatile PTZ camera featuring a bright 30x zoom lens, 1/3" Full HD CMOS sensor and multiple built-in analytic functions.

Sales Start Date: August 2016

#### Product Details:

Product Name	Mercury Code	EAN Code
Network Camera VB-R13	1383C001AC	4549292075014

#### Optional Accessories:

Product Name	Mercury Code	EAN Code
Recessed Mounting Kit SR11-S-VB	0714C001AA	4549292043488
Plenum Recessed Mounting Kit SR11-P-VB	0716C001AA	4549292043501
Pendant Mounting Kit PC640-VB	0719C001AA	4549292043532
Smoked Dome Unit DU10-S-VB	0721C001AA	4549292043556
AC Adapter PA-V18 (E)	8362B002AA	4960999986791
AC Adapter PA-V18 (GB)	8362B003AA	4960999986319

#### Measurement / Logistic Information:

Product Name	Mercury code	Pack type	Pack description	Quantity per pack	Length (mm)	Width (mm)	Height (mm)	Net Weight (kg)	Gross Weight (kg)
Network Camera VB-R13	1383C001AC	EA	Each	1	283	323	302	2.0	3.6
		CT	Carton	2	322	588	359	4.0	
		EP	Euro Pallet	12				23.9	