

VH331-A2 SERIES

HD 2MP STARLIGHT WDR IR FACE CAPTURE IP PTZ DOME
CAMERA

Infinova[®]



FEATURES

- Built-in 33X HD integrated camera module
- 1/2.8" progressive-scanning CMOS sensor
- IR-Cut Removable (ICR) Filter for true Day/Night
- Starlight-level ultra-low illumination
- Embedded high-efficiency IR LED with a wavelength of 850nm, with long service time and low maintenance cost
- IR illumination distance up to 200m
- Smart IR applied, with the output power of IR LED automatically adjusted according to the light condition
- Support frame integration WDR, with dynamic range up to 132dB
- High-quality video output, with resolution up to 1920×1080 @ 30fps
- Support intelligent tracking
- H.265/H.264/M-JPEG video encoding, three streams
- Support rich smart functions, with 6 smart groups switching and running with general smart functions synchronously such as General smart functions, Facial applications, Density detection, Counting, Behaviour analysis, Coexistence detection, Abandoned object detection and lost object detection
- Built-in MicroSD card
- Alarm recording and alarm snapshots
- Bi-directional audio, optional with G.711-A/G.711-U/G.726/AAC standard
- 2 alarm inputs and 1 alarm output
- Support motion detection, up to 4 definable areas
- Region of Interest (ROI), up to 8 definable areas
- Multiple OSD colors for choice
- Support simultaneous access and parameter setting via Web Server from multiple clients
- Support preset, autopan, pattern, autoscan, timed tour, normal tour, power-on return, etc.
- ONVIF Profile S, T & G compliant
- IP66 protection rate, built in with a heater and air circulation system for defogging
- Support remote network upgrade

DESCRIPTION

VH331-A2 series 2MP Starlight WDR IR Face Capture IP PTZ Dome Camera provides high quality video with the resolution up to 1920x1080@30fps, adopts H.265/H.264/M-JPEG compression formats, and boasts of excellent resolution and Color reproduction ability to ensure richer and more accurate details to be acquired and also guarantee the accuracy of intelligent analysis in a more effective way.

This product adopts large power LED infrared lamps, of 850nm infrared wave length, long night vision distance up to 200m and strong illumination. SMART IR technology is adopted to automatically adjust the output power of the IR LED as per the lighting conditions, so as to ensure ideal night vision effect.

User-friendly GUI interface design allows users to perform dome PTZ control easily via network and to configure detailed camera parameter settings. At Web interface, users can perform dome camera settings and operations by using a mouse which is more convenient than the traditional keyboard control. It also supports area zoom and image PTZ function.

VH331-A2 series PTZ dome cameras also feature general dome functions such as preset, pattern, autopan, autoscan, timed tour and normal tour.

TECHNICAL SPECIFICATIONS

Lens (Visible)	
Image Sensor	1/2.8" Sony progressive scanning CMOS
Optical Zoom	33X
Digital Zoom	12X
Focal Length	f=4.3~176mm
Iris	F1.6~F5.5
Focus	Auto/Manual
FOV(H/V/D)	H: 62.10° ~ 1.88°; V: 36.83° ~ 1.09°; D: 69.10° ~ 2.17°
Lens Mount	-
Lens (Thermal)	
Imager Type	-
Lens Type	-
Spectral Band	-
Pixel Size	-
NETD	-
Focal Length	-
FOV	-
Video	
Camera Resolution (Visible Lens)	2MP
Camera Resolution (Thermal Lens)	-
Max. Coding Capacity (Visible Lens)	Major stream: H.264/H.265- 30fps@1920x1080 Minor stream: H.264/H.265-30fps@1280x720 Third stream: M-JPEG -30fps@1920x1080
Max. Coding Capacity (Thermal Lens)	-
Data Rate	VBR/CBR Major stream: 256Kbps~10240Kbps Minor stream: 256Kbps~2048Kbps
Video Compression	H.265/H.264/M-JPEG independent coding
Multi-Streaming	Three stream independent output
Video Rotation	Video can be rotated by 90°, 180°
Audio	
Audio Compression	G.711-A/G.711-U/G.726/AAC
Sample Rate	8KHz (for G.711-A/G.711-U/G.726) 16KHz, 32KHz, 44.1KHz or 48KHz (for AAC)

Audio Interface	1 input, linear level, impedance: 1kΩ 1 output, linear level, impedance: 600Ω
Two-way Audio	Available
Mic & Speaker	-
Image	
Shutter	Auto/Manual (1/1~1/32000s)
WDR	Up to 132dB
Exposure	Auto/Manual/Shutter
Sensitivity	Color mode: 0.005 lux @ F1.6 (AGC ON); B/W mode: 0.0005 lux @ F1.6 (AGC ON); 0 lux (IR on)
White Balance	Auto/Manual/Outdoor
Video Adjustment	Brightness, contrast, saturation, chroma, sharpness
Noise Reduction	3D
S/N Ratio	>62dB
Defog	Available
EIS	Available
Mirror	Horizontal, Vertical
Corridor Mode	-
Day/Night Switching	ICR
AGC	Available
BLC	Available
HLC	Available
Privacy Mask	Up to 8 definable zones
ROI	Up to 8 definable zones
OSD	Supported
Pan/Tilt Functions	
Preset	1024
Pattern	12
Autopan	12
Normal Tour	16 groups (each can associate with 14 actions, optional with Presets 1~32, Patterns 1~4 and Autopans 1~4)
Home Return	Available
Timing Tour	Available
Autoscan	Available
Area Zoom	Available
IR Illumination	
Smart-IR	Available
Wave Length	850nm

TECHNICAL SPECIFICATIONS

Night Vision Distance	200m
Temperature Measurement	
Screening Function	-
Measurement Distance	-
Measurement Range	-
Accuracy	-
Smart Analytics	
Video Analytics	General Smart Functions - Motion detection, out-of-focus detection, high brightness detection, low brightness detection, color cast detection, abnormal sound detection, fight detection
	Facial Applications - Support face detection, tracking and snapshot; support snapshots optimization and duplicate deletion; support face image and scene image to be uploaded to the platform for secondary analysis and retrieval; support face exposure
	Density Detection - Support people gathering detection and density detection
	Counting - Support head/face/people/vehicle counting, queue length detection, dwelling detection
	Behaviour Analysis - Wire crossing detection, intrusion detection, loitering detection, fast movement detection, stop detection
Coexistence Detection - Support detection and snapshot of pedestrians, motor vehicles and non-motor vehicles	
Abandoned/Lost Object Detection - Support abandoned or lost object detection	
Intelligent Tracking - Supported	
Storage	
Storage Slots	Supports single cards
Built-in Storage	Up to 256GB
NAS Storage	-
Local PC Recording	Available
Alarm	
Alarm Ports	2 alarm inputs, 1 on/off output
Alarm Input	I/O input, smart detection, SD card removal, SD card full of videos, SD card full of images, network disconnection, heartbeat loss
Alarm Association	I/O output, email, image upload via FTP, audio, SD card recording, SD card snapshot, alarm info push, PTZ tracking
System Functions	
Operating System	Win 7 or above versions
Browser	IE8 or above versions
Access Protocol	ONVIF Profile S/G/T, CGI
Multiple Access	Up to 5-ch simultaneous access
Web Server	Available
Remote Upgrade	Available
Password Protection	Available
RS485 Port	Supports, 1*RS485
Analog Video Output	Supports, 1*BNC port
Maximum Number of Users	32, with 3 types of users available: administrator, normal user, and operator
Wiper	-

Network	
Network Interface	1*RJ45 10/100M self-adaptive Ethernet port
Network Protocols	IPv6, TCP, UDP, IGMP, DHCP, FTP, SNMP (V3), SMTP, NTP, RTP, RTSP, RTCP, HTTP, HTTPS, TSL, SSL, QoS, PPPoE, DNS, DDNS, ARP, ICMP, UPnP
IP Address Filtering	Support blacklist and whitelist filtering
Network Delay	<140ms
Environmental	
Anti-Static	±8KV
Surge Protection	±4KV (Ethernet port, power port)
Operating Temperature	-40°F ~+140°F (-40°C ~+60°C)
Storage Temperature	-4°F~140°F (-20°C~+60°C)
Operating Humidity	≤ 95% RH
Environmental Rating	IP66
Impact Resistance	-
Mechanical	
Manual Speed	Pan: 0.1° ~500°/s; Tilt: 0.1° ~ 100°/s
Preset Speed	Up to 200°/s
Rotation Angle	Pan: 360°; Tilt: -8° ~ 90°
Preset Accuracy	<0.1°
Electric Motor	Stepping motor
Electrical	
Power Supply	24VAC/24VDC
Power Consumption	<54W (IR ON); <22W (IR OFF)
Physical	
Product Dimension (L×W×H) or (H x D)	14.28" × 8.9" (362.8mm × ϕ226mm)
Package Dimension (L x W x H)	19.09" × 11.02" × 11.81" (485mm × 280mm × 300mm)
Unit Weight	10.80lbs. (4.90kg)
Shipping Weight	14.22lbs. (6.45kg)
Certifications	
Product Certifications	CE, FCC, IP66, RoHS

ORDERING INFORMATION

VH331-A233-D361W	HD Megapixel IR IP PTZ Dome Camera, Smart face capture, Starlight, WDR, 2MP, 33X, 1/2.8" CMOS, Day/night, H.265/H.264/M-JPEG, With audio alarm, Outdoor, Bracket mount, 24VAC/24VDC
------------------	---

Note: The installation bracket shall be purchased separately.

Accessories

Mount

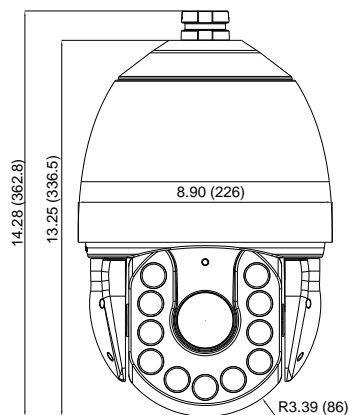
V1761H	Wall mount bracket
V1764H	Pendant mount bracket

Power Supply

N3922-24D-3	AC to DC Power Supply, Plug-In, 230VAC, Output 24VDC, 3A
N3922-24A-3	AC to AC Power Supply, Plug-In, 230VAC, Output 24VAC, 3A

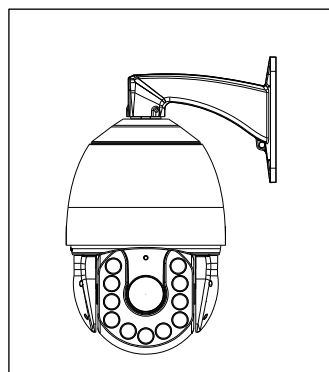
***Note:** - "Confirmation of SD Card installation has to be notified with the Camera Purchase Order. Such confirmation if received on Order Readiness will attract additional cost. Please contact Infinova to know more".

DIMENSIONS

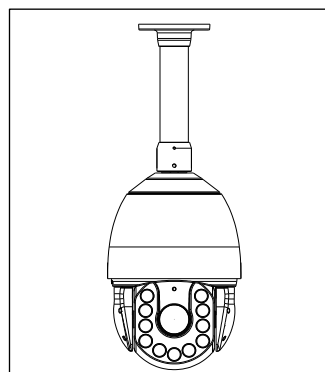


(Unit: inch, in the parentheses is mm)

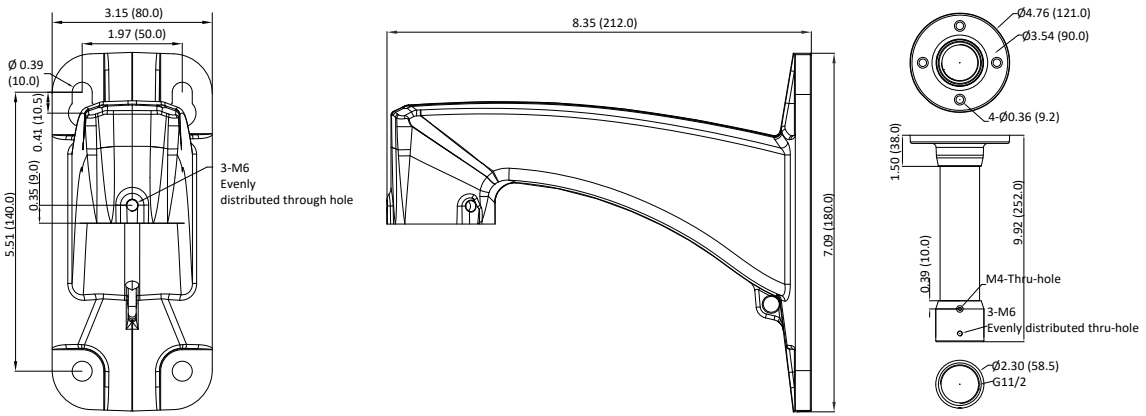
MOUNTING



Wall Mount



Pendant Mount



(Unit: inch, in the parentheses is mm)