

VPA311-A7 SERIES

HD 12MP FISHEYE CAMERA

Infinova[®]



FEATURES

- 1/1.7" progressive scan CMOS
- Up to 4000×3072@20fps
- S+265/H.265/H.264/M-JPEG
- Support Ceiling, Wall, Table Mounting
- Support Hardware Decoding and Software Decoding
- Support 360° Panoramic View, 180° Panoramic View, 4PTZ, Fisheye+3PTZ Mode
- Support Human/Vehicle Classification
- Built-in Mic & Speaker
- Smart IR, IR Range: 20m
- Operating Conditions -35°~65°, 0~95% RHG
- POE, IP66, IK10

DESCRIPTION

Infinova VPA311-A7 Series HD 12MP Fisheye camera applies 1/1.7-inch CMOS sensor and 1.98 fixed lens. The built-in IR lights can cover up to 20m.

With S+265/H.265/H.264/M-JPEG video compression formats, the camera outputs two video streams and delivers high-quality images with resolution up to 4000x3072@20fps, which can provide marvelous definition, color restoration and accurate details.

TECHNICAL SPECIFICATIONS

Lens (Visible)		Defog	Available
Image Sensor	1/2.7" progressive scan CMOS	EIS	-
Optical Zoom	-	Mirror	Horizontal/Vertical mirror
Digital Zoom	-	Corridor Mode	-
Focal Length	f=1.98 mm	Day/Night Switching	Dual IR Cut Filter with Auto Switch
Iris	F2.8, Fixed	AGC	Available
Focus	Fixed	BLC	Available
FOV(H/V/D)	H:180°; V:180°; D:180°	HLC	Available
Lens Mount	M12	Privacy Mask	Up to 24 definable zones
Lens (Thermal)		ROI	Up to 8 definable zones
Imager Type	-	OSD	Supported
Lens Type	-	Pan/Tilt Functions	
Spectral Band	-	Preset	-
Pixel Size	-	Pattern	-
NETD	-	Autopan	-
Focal Length	-	Normal Tour	-
FOV	-	Home Return	-
Video		Timing Tour	-
Camera Resolution (Visible Lens)	12MP	Autoscan	-
Camera Resolution (Thermal Lens)	-	Area Zoom	-
Max. Coding Capacity (Visible Lens)	Major stream: H.264/H.265-20fps@4000x3072, 30fps@3072x3072	IR Illumination	
Max. Coding Capacity (Thermal Lens)	Minor stream: H.264/H.265-30fps@704x480	Smart-IR	Available
Data Rate	32kbps~16384kbps	Wave Length	850nm
Video Compression	S+265/H.265/H.264/M-JPEG	Night Vision Distance	20m
Multi-Streaming	Two-stream independent output	Temperature Measurement	
Video Rotation	Video can be rotated by 90°, 180°	Screening	-
Audio		Function	-
Audio Compression	G.711A/G.711U/ADPCM/AAC	Measurement	-
Sample Rate	8K~48Kbps	Measurement Distance	-
Audio Interface	1 input, Linear level; 1 output, Linear level	Measurement Range	-
Two-way Audio	Available	Accuracy	-
Mic & Speaker	Build-in Mic & Speaker	Smart Analytics	
Image		Video Analytics	Motion Detection - Available Smart Video Analytics - Tripwire, Double Tripwire, Perimeter, Video Abnormal, Audio Abnormal, Heat Map
Shutter	Auto/Manual (1/1s~1/100000s)	Storage	
WDR	Digital WDR	Storage Slots	Support single card
Exposure	Auto/Manual	Built-in Storage	up to 128 GB
Sensitivity	Color: 0.05Lux@ (F2.8, AGC ON), B/W: 0Lux with IR	NAS Storage	-
White Balance	Auto/Manual	Local PC Recording	Available
Video Adjustment	Saturation, Brightness, Hue, Contrast, Sharpness	Alarm	
Noise Reduction	3D DNR	Alarm Ports	2 alarm inputs, 1 alarm output
S/N Ratio	60 dB	Alarm Input	Event Input, Event Output, Motion Detection, Mask Alarm, Disk Full, Disk R/W Error, IP Address Conflict, MAC Address Conflict, FTP Server Exception
		Alarm Association	I/O output, FTP Server Exception, Disk R/W Error

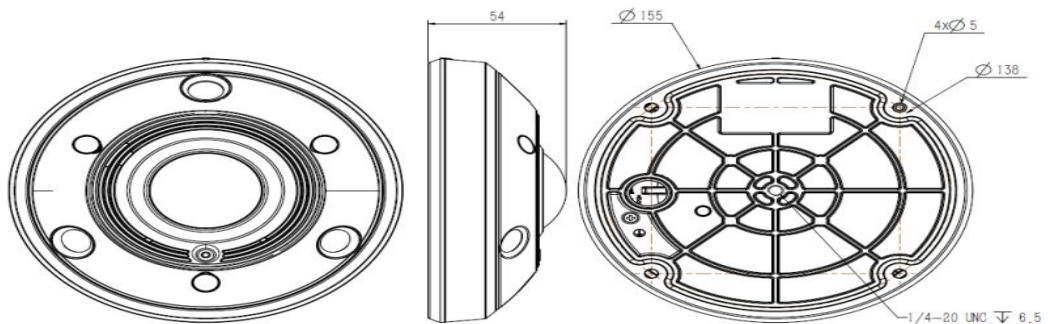
TECHNICAL SPECIFICATIONS

System Functions		Operating Temperature	
Operating System	Win 7 and higher versions	Operating Temperature	-31°F ~ 149°F (-35°C ~ 65°C)
Browser	IE8 and higher versions	Storage Temperature	-
Access Protocol	ONVIF (PROFILE S), SDK, CGI, P2P	Operating Humidity	≤ 95% RH
Multiple Access	Up to 5-ch simultaneous access	Environmental Rating	IP66
Web Server	Available	Impact Resistance	IK10
Remote Upgrade	Available	Mechanical	
Password Protection	Available	Manual Speed	-
RS485 Port	Available	Preset Speed	-
Analog Video Output	Available	Rotation Angle	-
Maximum Number of Users	≤7	Preset Accuracy	-
Wiper	-	Electric Motor	-
Network		Electrical	
Network Interface	1 RJ45 10M/100M/1000M self-adaption Ethernet port	Power Supply	PoE (IEEE 802.3af Class 2) /12VDC/24VAC
Network Protocols	TCP/IP, ICMP, HTTP, HTTPS, DHCP, DNS, DDNS, MULTICAST, UPnP, FTP, IPV4, NTP, RTSP, SMTP, IGMP, PPPoE	Power Consumption	8.6W/11.7W(MAX)
IP Address Filtering	-	Physical	
Network Delay	<200ms	Product Dimension (L×W×H) or (H x D)	54mm(H) x 155mm(D) (Φ6.1*2.13 inch)
Environmental		Package Dimension (L x W x H)	-
Anti-Static	Air discharge: 8KV, contact protection: 6KV	Unit Weight	1.65lbs. (0.75Kg)
Surge Protection	Difference mode: ±2KV, common mode: ±4KV	Shipping Weight	-
		Certifications	
		Product Certifications	CE; FCC; IK10; IP66; RoHS

ORDERING INFORMATION

VPA311-A7198-M0	HD Megapixel Fisheye Camera, 12MP, Fixed lens 1.98mm, 1/1.7" CMOS, Day/night, Build-in Mic, IR illumination distance up to 20m, IP66, IK10, PoE/12VDC/24VAC
Accessories	
Power Supply	
N3921-12D-1	AC to DC Power Supply, Plug-In, 230VAC, Output 12VDC, 1.5A
N3922-24A-2	AC to AC Power Supply, Plug-In, 230VAC, Output 24VAC, 3A

DIMENSIONS



(Unit: mm)

ACCESSORIES



Junction Box



Junction Box