

# Advanced Intelligent Manual Call Point (Outdoor) WCP5A

## Overview

- Advanced intelligent detection functionality
- Fully digital addressing technology
- Includes Advanced ADEVA protocol
- Sealed to IP67
- Unique 'Plug & Play' installation concept
- Total 'Flex-Ability' in the choice of operating element
- Anti-Tamper facility
- Enhanced aesthetics and compact design
- Wide operating voltage 15 to 32VDC
- Rotary decade address switches
- Backward compatibility
- Fully approved to the latest standards
- Tested and approved to EN54-11:2001+A1:2005



166b/51

## Description

The revolutionary Advanced Intelligent ADEVA range delivers a totally new fire alarm platform that incorporates the new digital Advanced Intelligent ADEVA protocol. The new protocol delivers more devices on the loop and gives greater control, configurability and device management whilst enabling the overall system to be optimised to the location and use of the building with far greater flexibility than ever before.

The outdoor WCP is an IP67 sealed manual call point product. The enhanced environmental protection allows the unit to be installed in many external environments where water and dirt are likely to be present, making it a true waterproof and outdoor product.

Installation efficiency, flexibility and full compliance with the latest standards are at the heart of the new WCP Outdoor Call Point range.

Installation time and ultimately cost, are of paramount importance to any fire or security installer. The WCP range directly reflects this need by providing a unique 'plug and play' concept designed specifically to reduce installation time. All new WCP products utilise a special terminal block, where all initial installation cabling is terminated. This terminal block is then simply connected to the back of the WCP. Simple, but effective with no re-termination required and no time wasted. In addition, all WCP products are supplied with three standard 20mm threaded cable entries, accommodating all types of surface wiring installations.

Through new standards and legislation, both break glass and re-settable operating elements can now be used within a manual call point. To provide you with the greatest 'flex-ability', the new WCP range can be configured as either a break glass or re-settable unit by simply changing from one element to another. No other additional parts or alternative products need to be ordered.

All WCP Outdoor Call Point products also help preserve the integrity of the overall system as illegal removal of the product lid will result in the call point operating and the system going in to alarm.

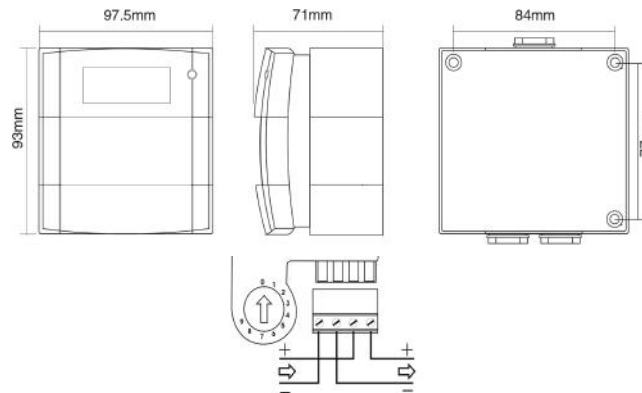
Full compliance with the latest standards is essential and the new WCP indoor call point range is fully approved to the latest EN54-11 standard. (Compliant markings only).

The WCP5A product has the System Sensor protocol embedded. A version of this call point with built in isolation is also available.

All ADEVA manual call points are environmentally friendly and meet the WEEE and RoHS legislative requirements, minimising end of life disposal costs, and are mechanically and electrically backwards compatible.

## Advanced Intelligent Manuel Call Point (Outdoor) WCP5A

### Architect/Engineer Specifications



### Electrical Specifications

Maximum Voltage	: 30 VDC
Cable Termination	: 0.5 - 2.5 mm <sup>2</sup>
Standby Current	: 400µA (non-isolation) : 500µA (isolation)
Operating Current	: 7.6mA (non-isolation) : 7.6mA (isolation)

### Environmental Specification

Humidity	: 0 to 95% non condensing
Operating Temperature	: -10°C to +55°C
Storage Temperature	: -10°C to +55°C
Ingress Protection (IP) Rating	: IP67

### Mechanical Specification

Material	: PC/ABS
Weight	: 240g
	: 160g Surface
Colour	: Red, Ral 3001

### Product Range

Model	Isolation	Mounting	Operating Element	Markings
WCP5A-RP01SG-01	NO	Surface	Glass	EN54-11
WCP5A-RP01SF-01	NO	Surface	Flexi	EN54-11
WCP5A-RP02SG-01	YES	Surface	Glass	EN54-11
WCP5A-RP02SF-01	YES	Surface	Flexi	EN54-11

#### Accessories

SC070	Pack of ten test keys
KG1 x 5	Pack of five glass elements (Also available in packs of 10, 25 & 50)
PS210	Flexible operating element
PS200	Plain Hinged Cover
SC071	Pack of twenty terminal blocks

#### ADEVA FIRE ALARM SYSTEM

ADEVA PLAZA  
Semah St. No:43  
Serifali / Umraniye / Istanbul  
TURKEY

Tel: +90 (0)216 5982800  
Fax: +90(0)216 5982899  
Email: info@adevafire.com

[www.adevafire.com](http://www.adevafire.com)